



TAKE  **5** + **1**
HOME THEATER SYSTEM

owners manual

PRINTED IN CANADA
7AII/ETAK5I

ENERGY[®]
S P E A K E R S Y S T E M S

IMPORTANT SUBWOOFER SAFETY INSTRUCTIONS

Read Instructions

All safety and operating instructions should be read before the product is operated.

Retain Instructions

The safety and operating instructions should be retained for future reference.

Heed Warnings

All warnings on the product and in the operating instructions should be adhered to.

Follow Instructions

All operating and use instructions should be followed.

Cleaning

Unplug this product from the wall outlet before cleaning. Do not use liquid cleaners or aerosol cleaners. Use a damp cloth for cleaning.

Attachments

Do not use attachments not recommended by the product manufacturer as they may cause hazards.

Water and Moisture

Do not use this product near water—for example near a bath tub, wash bowl kitchen sink, or laundry tub; in a wet basement; or near a swimming pool.

Ventilation

Slots and openings in the cabinet are provided for ventilation and to ensure reliable operation of the product and to protect it from overheating, and these openings must not be blocked or covered. They should also never be blocked by placing the product on a bed, sofa, rug, or other similar surface. This product should not be placed in a built-in installation such as a bookcase or rack unless proper ventilation is provided or the manufacturer's instructions have been adhered to.

Power Sources

This product should be operated only from the type of power source indicated on the marking label. If you are not sure of the type of power supply to your home, consult your product dealer or local power company. For products intended to operate from battery power, or other sources, please refer to the operating instructions.

Grounding or Polarization

This product may be equipped with a polarized alternating-current line plug (a plug having one blade wider than the other). This plug will fit into the power outlet only one way. This is a safety feature. If you are unable to insert the plug fully into the outlet, try reversing the plug. If the plug should still fail to fit, contact your electrician to replace your obsolete outlet. **DO NOT** defeat the safety purpose of the polarized plug.

Power Cord Protection

Power supply cords should be routed so that they are not likely to be walked on or pinched by the items placed upon or against them, paying particular attention to cords at plugs, convenience receptacles, and the point where they exit from the product.

Overloading

Do not overload wall outlets or extension cords, as this can result in a risk of fire or electric shock.

Object and Liquid Entry

Never push objects of any kind in this product through openings as they may touch dangerous voltage points or short out parts that could result in a fire or electric shock. Never spill liquid of any kind on the product.

Servicing

Do not attempt to service this product yourself as opening or removing covers may expose you to dangerous voltage or other hazards.

Heat

This product should be situated away from heat sources such as radiators, heat registers, stoves, or other appliances (including amplifiers) that produce heat.

Non-use Periods

The power cord of the product should be unplugged from the outlet when left unused for a long period of time.

Damage Requiring Service

This product should be serviced by qualified service personnel when:

- (A) The power supply cord or the plug has been damaged, or
- (B) Objects have fallen, or liquid has been spilled into the appliance, or
- (C) The product has been exposed to rain, or
- (D) The appliance does not operate normally or exhibits a marked change in sonic performance, or
- (E) The product has been dropped, or the enclosure has been damaged.

"ENERGY", the "ENERGY" logo, the "Take 5+1", and the "Take 5+1" logo and "API Accessories" are trademarks of Audio Products International Corp. "Dolby", "Dolby Pro-Logic" and "Dolby Digital Surround" are trademarks of Dolby Laboratories Licensing. DTS is a trademark of Digital Theater Systems Inc.

INTRODUCTION

We are proud to welcome you as a new owner of an **ENERGY** Speaker System.

ENERGY speakers are the result of extensive research into accurate sonic reproduction and represent the leading edge in speaker design and performance. The finest components and cabinet materials combined with sophisticated manufacturing and quality control procedures ensure many years of exceptional performance and listening pleasure.

Please take time to read all of the instructions contained in this manual to make certain your system is properly installed and functioning correctly.

Be sure to unpack your system carefully. Retain the carton and all packing material for future use.

SUBWOOFER CONNECTION TO YOUR AUDIO/VIDEO SYSTEM

There are essentially two methods by which you can connect your **ENERGY** subwoofer to your audio/video system. The first is "**The High Level Connection**" and the second, "**The Low Level Connection**". Your system components will dictate which method to use, but High Level Connection can be used with virtually any receiver or amplifier.

CAUTION: (A) DO NOT USE BOTH LOW LEVEL AND HIGH LEVEL METHODS SIMULTANEOUSLY. (B) TURN OFF ALL POWER IN YOUR STEREO SYSTEM BEFORE PROCEEDING WITH THE INSTALLATION OF THE SUBWOOFER.

Using High Level Connections (see Diagram 1)

On the rear of your **ENERGY** subwoofer cabinet is a block designated "High Level". This block contains two pairs of speaker terminals. These should be connected to the speaker output terminals of your amplifier or A/V receiver. Each pair of terminals are color coded black/red.

NOTE: These terminals will accept up to 18 Gauge speaker wire.

REMEMBER: Always connect red-to-red and black-to-black, when making the connections between amp/receiver to subwoofer. If you inadvertently reverse one of the connections (ie. red-to-black), you will notice a lack of bass from your subwoofer.

Using the "Subwoofer Output" of an A/V Receiver or Processor (See Diag. 2 - Low Level Connection 1)

This method uses a single RCA-to-RCA interconnect cable to connect the "SUBWOOFER OUTPUT" jack from your A/V receiver or processor to the subwoofer "INPUT". This method does not remove low frequencies from your main speakers, and they will continue to reproduce bass frequencies.

Using An External Crossover (See Diag. 3 Low Level Connection 2)

This method uses a single RCA-to-RCA interconnect cable to connect the "SUBWOOFER OUTPUT" jack from an external crossover to the "XOVER INPUT" of your subwoofer. This method by-passes the subwoofer's built-in level and crossover controls; subwoofer functions are controlled by the external crossover. (See External Crossover Owner's Manual for details.)

SET UP CALIBRATION

For best results when setting up your system, assume your normal listening position and have another person perform the following adjustments:

1. Set the Subwoofer Level Control to its zero position. Set the Subwoofer LP Filter Control to 50Hz. Set any loudness, bass/treble, and/or equalizer controls on your preamplifier or integrated amp/receiver to their normal or mid-point positions.
2. Play a familiar CD, record, or video soundtrack that has substantial bass content.
3. Gradually turn the Subwoofer Level Control clockwise until you achieve a neutral balance between the subwoofer's deep bass output and your main/satellite speakers.
4. Slowly turn the Subwoofer LP Filter Control clockwise to reach the best mid bass blend with your main/satellite speakers. This will be the point at which the bass retains solid impact and fullness.

If the mid bass becomes "**boomy**" or **ill defined**, you have gone too far and should turn the control **counter-clockwise** to the best balance point. If the sound is too **thin** (i.e., male vocals are not full sounding) then turn the control clockwise to the best balance point.

NOTE: The Subwoofer Level Control is designed to control the balance between your subwoofer and main/satellite speakers and should **not be used as a substitute for the bass or loudness controls** on your amplifier or receiver. Adjust the subwoofer's level for smoothest low frequency performance. If more bass is desired, then advance the bass and/or loudness controls on your main amplifier or receiver.

SUBWOOFER FEATURES

Auto-On/Auto-Off Circuit

Your subwoofer is equipped with a special "Auto-on/Auto-off" circuit. This circuit automatically turns your subwoofer on as soon as it senses a program signal. At a predetermined time after the program signal ends, this circuit automatically turns the subwoofer off.

Clipping Protection Circuit

Many powered subwoofers on the market produce distorted sounds as a result of clipping at high input levels. The proprietary **ENERGY** Clipping Protection Circuit (CPC) continuously senses the input signal level and automatically adjusts to prevent clipping of the waveform, maintaining undistorted bass reproduction.

High Level Input

The High Level inputs allow you to connect your subwoofer to the speaker outputs of any A/V Receiver or power amplifier. See "Subwoofer Connection to your Audio/Video System".

Low-Level RCA Input Jacks

The two RCA Input jacks allow you to connect your subwoofer to EITHER: 1) The subwoofer mono output of an A/V Receiver/Processor OR 2) The subwoofer output of an External Crossover.

NOTE: When using the External Crossover Input, the subwoofer Level Control and LP Filter Control on the subwoofer's rear panel are bypassed and have no effect on the subwoofer.

SUBWOOFER OPERATING CONTROLS

Subwoofer Level Control

This rotary control adjusts the output level of your **ENERGY** subwoofer and should be used to balance the level of the subwoofer with that of your main satellite speakers. See "Set-up Calibration".

LP Filter Control

This rotary control adjusts the high frequency roll-off of the subwoofer. Continuously variable from 50Hz to 100Hz, it is used to precisely match the subwoofer bass reproduction with that of your main/satellite speakers. See "Set-up Calibration".

ROOM ACOUSTICS & SUBWOOFER PLACEMENT

ENERGY subwoofers can be placed virtually anywhere in your listening room without significantly affecting the stereo image of your main speakers. However, interactions between any subwoofer and a room's acoustic properties will have some impact on the overall bass performance.

Reading this section will help you to find a placement for the subwoofer in your room which will yield the best bass performance.

CAUTION: ENERGY SUBWOOFERS HAVE A BUILT-IN AMPLIFIER AND MUST HAVE ADEQUATE VENTILATION FOR COOLING PURPOSES. DO NOT PLACE THE SUBWOOFER NEAR HEAT SOURCES, OR ANYTHING WHICH MIGHT OBSTRUCT VENTILATION.

Although a clear path between the subwoofer and listening position is not required, it is important to leave approximately 4 inches (10cm) of clearance between the subwoofer and walls or room furnishings.

Generally, shorter runs of hook-up cables are also preferable (and easier to hide), therefore locating your subwoofer relatively close to your audio equipment is often desirable.

The interaction between room acoustics and any subwoofer is closely related to the subwoofer's proximity to the walls. Typically, subwoofer placement directly in or close to a corner will produce the most bass output, placement along one wall but away from a corner will produce less bass output, and placement of the subwoofer further into the room will produce the least amount of bass output.

It should also be realized that the corner location, although producing the most bass output often yields ill-defined or "boomy" bass. The latter two locations will deliver progressively more accurate bass performance.

We urge you to experiment with various subwoofer placements in your listening room to find the position which produces "deep and smooth" performance. Often, moving the subwoofer a foot or two (30- 60cm) can make a big sonic improvement.

Remember to use familiar musical recordings with an abundance of low frequency information when you experiment with subwoofer locations.

POSITIONING & CONNECTING YOUR ENERGY "TAKE 5" SPEAKERS

Using Your Take2 as Left and Right Main Speakers

For best stereo separation, we recommend the speaker pair be placed 6 to 10 feet (2-3 m) apart. The distance from the loudspeakers to the listener should be about 1 to 1.5 times the distance separating the speakers. See **Figures 5 and 6 for connection and placement.**

The Take1 Center Channel Speaker

The purpose of the center channel speaker is to ensure that the central audio image, including actors' voices, appears to emanate from the screen. For best results the center channel speaker should be located directly above, or below the TV screen. See **Figures 5 and 6 for connection and placement.**

Using Your Take2 as Surround/Effects Speakers

Surround effects speakers should be positioned adjacent to and slightly behind the primary listening area, on the rear wall, side walls, or in the ceiling to provide the sense of spaciousness and ambiance for either Dolby Pro Logic™ or the new Dolby Digital™ Surround source formats. See **Figures 5 and 6 for connection and placement.**

Amplifier Requirements

ENERGY speakers have been designed to be driven to high listening levels with moderate power; while at the same time being capable of handling the power output of large amplifiers. Most **ENERGY** speakers have 8 ohm nominal impedance, and will function well with a wide range of amplifiers and receivers.

NOTE: If you are using more than two speakers per amplifier channel, please check with the amplifier manufacturer to confirm that the amplifier can handle loads of 4 ohms.

CARE OF FINISHES

Your speakers should be gently wiped clean with a damp cloth from time to time to remove any dust or stains. Do not use an abrasive cleaner. To remove dust from the grille cloth, use the brush attachment on your vacuum cleaner or a slightly dampened sponge.

LIMITED WARRANTY POLICY

Warranty Outside of The United States and Canada:

Product warranties may be legislated differently from one country to another. Ask your local dealer for details of the LIMITED WARRANTY applicable in your country.

IMPORTANT: Please retain the carton and packing material for this **ENERGY** product to protect it in the event it ever has to be shipped to a service center for repair. Product received damaged by a service center that has been shipped by the end user in other than the original packaging, will be repaired, refurbished and properly packaged for return shipment at the end user's expense.

WARRANTY FOR UNITED STATES AND CANADA (see back cover)

ENCEINTE D'EXTRÊMES-GRAVES - IMPORTANTES CONSIGNES DE SÉCURITÉ

Lire les instructions

Il est fortement recommandé de lire toutes les consignes de sécurité et la notice d'utilisation avant de faire fonctionner l'appareil.

Conserver les instructions

Conserver les consignes de sécurité et la notice d'utilisation pour consultation ultérieure.

Observer les mises en garde

Observer toutes les mises en garde apposées sur l'appareil et contenues dans la notice d'utilisation.

Suivre les instructions

Se conformer à toutes les instructions d'installation et d'utilisation.

Nettoyage

Débrancher le cordon d'alimentation de l'appareil avant de le nettoyer. Ne jamais utiliser de produits liquides à nettoyer ni de nettoyeurs en aérosol. Nettoyer avec un chiffon humide.

Accessoires

Afin de prévenir les dommages, n'utiliser que les accessoires recommandés par le fabricant.

Eau et humidité

Ne pas utiliser cet appareil dans un endroit où il pourrait devenir mouillé (près d'une baignoire, d'un évier, d'un lavabo ou d'une piscine, ou encore dans un sous-sol humide).

Aération

Ne pas obstruer ou recouvrir les fentes et les ouvertures de l'enceinte ; elles assurent l'aération et le bon fonctionnement de l'appareil et le protègent contre la surchauffe. Ne pas placer l'appareil sur un lit, un canapé, un tapis ou une surface similaire. Ne pas placer l'appareil dans une installation fermée telle une bibliothèque ou un meuble stéréo à moins qu'une aération adéquate soit assurée ou que les instructions du fabricant aient été observées.

Alimentation

Ne faire fonctionner cet appareil que sur une source d'alimentation conforme au type indiqué sur l'étiquette de marquage. En cas de doute, consulter le détaillant ou la compagnie d'électricité. Si l'appareil peut fonctionner sur piles ou sur une autre source, se reporter à la notice d'utilisation.

Mise à la terre ou polarisation

Le cordon d'alimentation de l'appareil peut être muni d'une fiche polarisée (fiche avec lames de largeur différente). Une telle fiche ne peut être introduite dans la prise que dans un seul sens. Il s'agit là d'une importante caractéristique de sécurité. Si la fiche ne peut être insérée à fond dans la prise, l'inverser et essayer à nouveau. Si cela ne règle pas le problème, communiquer avec un électricien pour faire remplacer la prise. Ne PAS faire échec aux fins de protection de la fiche polarisée.

Protection du cordon d'alimentation

Les cordons d'alimentation devraient être placés de manière à prévenir tout risque d'écrasement ou de pincement par des objets. Apporter une attention toute particulière aux points de connexion et de branchement.

Surcharge

Afin de prévenir tout risque de décharges électriques ou d'incendie, ne pas surcharger les prises de courant ou les cordons prolongateurs.

Objets étrangers et déversement de liquide

Afin de prévenir tout risque d'incendie ou de décharges électriques, ne jamais insérer d'objet d'aucune sorte dans l'appareil. Protéger l'appareil contre tout risque de déversement de liquide.

Réparation

Ne pas tenter de réparer l'appareil soi-même ; le fait d'ouvrir l'appareil ou d'en retirer les couvercles peut vous exposer à des risques de décharges électriques. Confier toute réparation à un technicien qualifié.

Sources de chaleur

Ne pas placer l'appareil à proximité d'une source de chaleur telles que radiateurs, bouches d'air chaud, cuisinières ou autres.

Période de non utilisation

Si l'appareil n'est pas été utilisé pendant une longue période, débrancher le cordon d'alimentation.

Dans l'éventualité de dommages

Dans les conditions suivantes, débrancher immédiatement l'appareil et communiquer avec un technicien qualifié :

- (A) si le cordon d'alimentation ou sa fiche est endommagé ;
- (B) suite à un déversement de liquide ou à l'introduction d'un objet étranger dans l'appareil ;
- (C) si l'appareil a été exposé à la pluie ou à une humidité excessive ;
- (D) si l'appareil ne fonctionne pas normalement ou si le rendement de l'appareil semble avoir subi un modification brusque ;
- (E) si l'appareil a été échappé ou a subi un choc violent.

« ENERGY », le logotype « ENERGY », « Take 5+1 », le logotype « Take 5+1 » et « API Accessories » sont des marques déposées de Audio Products International Corp. « Dolby », « Dolby Pro-Logic » et « Dolby Digital Surround » sont des marques déposées de Dolby Laboratories Licensing. DTS est une marque déposée de Digital Theater Systems Inc.

INTRODUCTION

Bienvenue au monde des enceintes **ENERGY**.

Les enceintes **ENERGY** sont nées de recherches poussées sur la fidèle reproduction dans les basses fréquences et représentent la fine pointe en matière de conception et de performance. Les composants et les matériaux de choix utilisés, alliés aux procédés de fabrication et de contrôle de la qualité avancés, sont garants d'une fiabilité durable et d'un plaisir d'écoute inégalé.

Veillez lire attentivement le présent manuel afin d'assurer d'installer et d'utiliser correctement l'enceinte.

Déballer le tout avec le plus grand soin. Conserver le carton et les matières d'emballage en vue de protéger l'enceinte dans l'éventualité où il deviendrait nécessaire de l'expédier à un centre de service pour fins de réparation.

RACCORDEMENT DE L'ENCEINTE À UNE CHAÎNE AUDIO/VIDÉO

L'utilisateur a le choix de deux méthodes de connexion : niveau bas ou niveau haut. Le choix dépend des caractéristiques de la chaîne bien que la connexion de niveau haut puisse être utilisée avec presque n'importe quel type de récepteur ou d'amplificateur.

MISE EN GARDE (A) NE PAS UTILISER LES DEUX MODES DE CONNEXION ENSEMBLE. (B) COUPER LE CONTACT SUR TOUS LES APPAREILS DE LA CHAÎNE AVANT DE FAIRE LES RACCORDEMENTS.

Connexions de niveau haut (voir Figure 1)

Le panneau arrière de l'enceinte comporte un jeu de bornes identifié «High Level». Ce jeu compte deux paires de bornes de raccordement. Ces bornes doivent être reliées aux bornes de sortie de haut-parleur d'un amplificateur ou d'un récepteur A/V. Chaque paire est identifiée par un code de couleurs (rouge/noir).

NOTA : Les bornes acceptent un calibre de fil pouvant atteindre 18.

IMPORTANT : Toujours appairer les fils noir et rouge à la borne de même couleur. Une erreur de connexion entraînera un faible rendu dans les graves.

Connexion à la sortie d'extrêmes-graves d'un processeur ou récepteur A/V (voir Figure 2 – Connexion de niveau bas)

Cette méthode fait appel à un seul câble de raccordement RCA-RCA pour relier la prise « SUBWOOFER OUTPUT » d'un processeur ou récepteur A/V à la prise « INPUT » de l'enceinte. Cette méthode ne coupe pas l'acheminement des basses fréquences aux enceintes principales.

Utilisation d'un filtre électronique externe (voir Figure 3 – Connexion de bas niveau, type 2)

Cette méthode fait appel à un seul câble de raccordement RCA-RCA pour relier la prise « SUBWOOFER OUTPUT » d'un filtre électronique à la prise « XOVER INPUT » de l'enceinte. Cette méthode ne coupe pas l'acheminement des basses fréquences aux enceintes principales. Ce type de connexion contourne les circuits de commande de niveau et de fréquence de l'enceinte lesquelles sont prises en charge par le filtre électronique. (Pour de plus amples renseignements, se reporter au manuel afférent au filtre électronique utilisé.)

ÉTALONNAGE

Pour de meilleurs résultats lors de la mise en route du système, se placer dans la position normale d'écoute et demander à une autre personne d'effectuer les réglages suivants :

1. Placer la commande de niveau des extrêmes-graves à la position « 0 » et régler la commande du filtre passe-bas à 50 Hz. S'il y a lieu, placer le compensateur physiologique, les commandes des aigus et des graves et(ou) le compensateur du préampli, de l'amplificateur ou du récepteur à leur position normale ou médiane.
2. Faire l'écoute d'une source sonore connue avec un fort contenu dans les graves.
3. Tourner progressivement la bouton de commande de niveau dans le sens des aiguilles d'une montre jusqu'à ce que le rendu dans les extrêmes-graves soit en équilibre avec celui des autres enceintes.
4. Tourner lentement la commande du filtre passe-bas dans le sens des aiguilles d'une montre jusqu'à l'obtention de la meilleure harmonisation possible entre les graves et les médiums. Ce point optimal se caractérise par des graves puissants et pleins.

Si le rendu dans les médiums-graves s'avère « cavernieux » ou mal défini, ramener la commande dans l'autre sens. Si, par contre, le rendu semble manquer d'ampleur (par exemple, si la présence des voix masculines se fait peu sentir) tourner encore dans le sens des aiguilles d'une montre.

NOTA : La commande de niveau des extrêmes-graves sert à assurer l'équilibre entre la puissance des graves et le niveau du signal des autres enceintes, et ne devrait pas être utilisée comme substitut des commandes de tonalité ou de compensation physiologique de l'amplificateur ou récepteur. Régler le niveau des extrêmes-graves pour un rendu le plus harmonieux possible. Si une présence accrue des graves est désirée, utiliser les commandes de tonalité et(ou) de compensation physiologique de l'amplificateur ou du récepteur.

ENCEINTE D'EXTRÊMES-GRAVES - CARACTÉRISTIQUES

Circuit de mise en/hors marche automatique

L'enceinte incorpore un circuit de mise en/hors marche automatique qui l'active dès qu'un signal est détecté. Après un délai prédéterminé suivant la fin du signal, le circuit met automatiquement l'enceinte hors marche.

Circuit de protection contre l'écrêtage

Il n'est pas rare que les enceintes d'extrêmes-graves avec amplificateur que l'on trouve sur le marché engendrent de la distorsion causée par un écrêtage lors du traitement de signaux à puissance élevée. Or un circuit de protection contre l'écrêtage, exclusif à **ENERGY**, surveille continuellement le niveau du signal d'entrée et l'ajuste automatiquement afin de prévenir tout écrêtage de la forme d'onde d'où une reproduction des graves exempte de distorsion.

Bornes de sortie et d'entrée de niveau haut

Les entrées de niveau haut vous permettent de relier l'enceinte aux prises de sortie de tout récepteur A/V ou amplificateur de puissance. Se reporter à la section « Raccordement à une chaîne audio/vidéo ».

Prises d'entrée RCA de niveau bas

Les deux prises d'entrée RCA permettent la connexion de l'enceinte d'extrêmes-graves à : 1) la sortie monaurale d'extrêmes-graves d'un récepteur ou processeur A/V, 2) la sortie d'extrêmes-graves d'un filtre électronique externe.

NOTA : Lorsque l'enceinte est raccordée à un filtre électronique externe, les commandes de niveau et du filtre passe-bas de l'enceinte sont contournées et n'ont plus d'effet sur le rendu.

ENCEINTE D'EXTRÊMES-GRAVES - COMMANDES

Commande de niveau des extrêmes-graves

Cette commande rotative règle le niveau de sortie de l'enceinte et devrait être utilisée pour équilibrer le niveau des extrêmes-graves avec celui des autres enceintes. Se reporter à la section « Étalonnage ».

Commande du filtre passe-bas

Ce bouton rotatif ajuste la fréquence de coupure supérieure des extrêmes-graves. Offrant un réglage en continu de 50 Hz à 100 Hz, cette commande permet d'harmoniser la réponse en fréquence de l'enceinte à celle des autres éléments satellites. Se reporter à la section « Étalonnage ».

CARACTÉRISTIQUES ACOUSTIQUES DE LA PIÈCE D'ÉCOUTE ET EMPLACEMENT DES ENCEINTES

Les enceintes **ENERGY** peuvent être placées presque n'importe où dans la pièce d'écoute sans affecter l'image stéréo offerte par vos enceintes principales. Il importe toutefois de savoir que la structure et les dimensions de la pièce de même que le mobilier peuvent avoir des répercussions sur le rendu dans les graves. Nous vous recommandons donc de lire la section suivante pour déterminer l'emplacement de l'enceinte offrant le rendement optimal.

ATTENTION : L'ENCEINTE D'EXTRÊMES-GRAVES ENERGY INCORPORE UN AMPLIFICATEUR. IL IMPORTE DONC D'ASSURER UNE AÉRATION ADÉQUATE POUR PRÉVENIR LA SURCHAUFFE. NE PAS PLACER L'ENCEINTE PRÈS D'UNE SOURCE DE CHALEUR OU DE TOUT OBJET OU SURFACE SUSCEPTIBLE DE NUIRE À SON AÉRATION.

Bien qu'il ne soit pas nécessaire que l'espace entre l'enceinte et la position d'écoute soit libre d'obstacle, il est important de laisser un espace d'au moins 10 cm (4 po) entre l'enceinte et les murs et toute pièce de mobilier.

En règle générale, il est préférable d'utiliser des câbles de raccordement courts (qui présentent l'avantage d'être plus faciles à dissimuler) ; aussi, est-il recommandé de placer l'enceinte près des appareils de la chaîne.

L'interaction entre les propriétés acoustiques de la pièce et le rendu d'une enceinte d'extrêmes-graves est en relation étroite avec la distance entre cette dernière et les cloisons murales. Typiquement, une enceinte placée dans ou près d'un coin assurera un rendu plus vigoureux ; plus l'enceinte est éloignée d'un mur et d'un coin, moins son rendu sera puissant.

Il faut aussi savoir que l'emplacement dans un coin, bien qu'offrant plus de puissance, produit souvent un rendu mal défini ou « caverneux ». Aussi, le choix de l'emplacement est-il toujours le résultat d'un compromis.

Il est recommandé de faire l'essai de plusieurs emplacements en vue d'identifier la position produisant des graves à la fois profonds et clairs. Parfois un déplacement de seulement 30 à 60 cm (1 ou 2 pi) peut faire une grande différence.

Pour les essais, utiliser une source musicale bien connue et comportant un fort contenu dans les graves.

EMPLACEMENT ET RACCORDEMENT DES ENCEINTES ENERGY - TAKE 5

Utilisation des enceintes Take2 sur les canaux avant gauche et droit

Pour favoriser une séparation stéréophonique optimale, il est recommandé de placer les enceintes à une distance de 2 à 3 mètres (6 à 10 pi) l'une de l'autre. La distance entre les enceintes et la position d'écoute devrait être environ de 1 à 1,5 fois la distance séparant les enceintes, formant ainsi un triangle. **Se reporter aux figures 5 et 6.**

Utilisation du modèle Take1 comme enceinte de canal central

Cette enceinte a pour fonction d'assurer que l'image audio centrale, incluant les voix, semble émaner de l'écran. Pour de meilleurs résultats, placer cette enceinte juste au-dessus ou dessous le téléviseur. **Se reporter aux figures 5 et 6 pour les raccordements et leur positionnement.**

Utilisation du modèle Take2 comme enceinte ambiophonique

Les enceintes ambiophoniques devraient être placées tout près et légèrement derrière la position d'écoute, et montées sur un mur ou au plafond, afin de favoriser les effets d'ampleur spatiale et d'ambiance créés par les sources Dolby Pro Logic[®] ou Dolby Digital[®] Surround. **Se reporter aux figures 5 et 6 pour les raccordements et leur positionnement.**

Amplification

Les enceintes **ENERGY** sont conçues pour un rendu à volume élevé nourri par des signaux de puissance moyenne tout en étant en mesure d'accepter les signaux de haute puissance. La plupart des enceintes **ENERGY** ont une impédance nominale de 8 ohms et assurent un rendu de haute qualité avec une large gamme d'amplificateurs et de récepteurs.

NOTA : Si plus d'une paire d'enceintes par amplificateur ou récepteur est utilisée, vérifier auprès du fabricant de l'amplificateur s'il est en mesure d'accepter une charge de 4 ohms.

ENTRETIEN DU BOÎTIER

Essuyer de temps à autre le boîtier avec un chiffon humide pour enlever tâches et poussière. Ne jamais utiliser de nettoyant abrasif. Pour dépolir la grille en tissu, passer l'aspirateur avec la brosse à épousseter ou l'essuyer avec une éponge humide.

Garantie à l'extérieur des États-Unis et du Canada

Les garanties peuvent tomber sous le régime de législations différentes selon le pays. Pour de plus amples détails sur les conditions de la garantie limitée applicables dans votre pays, informez-vous auprès de votre revendeur local.

IMPORTANT : Conserver le carton et les matières d'emballage en vue de protéger les enceintes dans l'éventualité où il deviendrait nécessaire de les expédier à un centre de service pour fins de réparation. Tout appareil qui est expédié par l'utilisateur dans un emballage autre que celui d'origine et qui serait reçu endommagé, sera réparé, remis en état et emballé pour expédition aux frais de l'utilisateur.

GARANTIE AU CANADA ET AUX ÉTATS-UNIS (voir au plat verso)

DIRECTRICES DE SEGURIDAD IMPORTANTES

Leer las instrucciones

Antes de utilizar este artículo, se deben leer las instrucciones de funcionamiento y las directrices de seguridad.

Conservar las instrucciones

Las instrucciones de funcionamiento y las directrices de seguridad se deben conservar para futura consulta.

Prestar atención a los avisos

Se deben respetar todos los avisos indicados en el altavoz y en las instrucciones de funcionamiento.

Seguir las instrucciones

Se deben seguir todas las instrucciones de funcionamiento.

Limpieza

Desenchufar el altavoz de la toma de la pared antes de limpiarlo. No emplear productos de limpieza líquidos o en aerosol. Limpiar con un paño húmedo.

Dispositivos de sujeción

No emplear dispositivos de sujeción no recomendados por el fabricante del producto para evitar posibles accidentes.

Agua y humedad

No colocar el altavoz cerca de una fuente de agua (por ejemplo, una bañera, un lavabo, un fregadero, un lavadero o una piscina) ni en un sótano mojado.

Ventilación

Las ranuras y aberturas de la caja sirven para la ventilación del altavoz, aseguran su buen funcionamiento y evitan su recalentamiento. Estas ranuras y aberturas no deben obstruirse o taparse. Tampoco se deben obstruir colocando el altavoz sobre una cama, sofá, alfombra u otra superficie similar. El altavoz no se debe colocar en una instalación empotrada como una biblioteca o un estante, salvo si se asegura una ventilación adecuada y se respetan las instrucciones del fabricante.

Fuentes de energía

Para hacer funcionar el altavoz se deben emplear únicamente las fuentes de energía indicadas en la etiqueta de características del artículo. En caso de duda sobre el tipo de energía suministrada en su casa, consúltense al vendedor del producto o a la compañía local de suministro de energía. Para los altavoces que funcionan con pilas u otras fuentes de energía, consúltense las instrucciones de funcionamiento.

Conexión a tierra o polarización

Este altavoz puede venir equipado con un enchufe polarizado para línea de corriente alterna. Este tipo de enchufe tiene una pata más ancha que la otra, dispositivo de seguridad por el cual encaja en la toma de la pared solamente en una posición. En caso de no poder introducir el enchufe completamente en la toma de la pared, intentar la posición inversa. Si no consigue meter el enchufe, póngase en contacto con un electricista para reemplazar la toma de la pared por otra más moderna. NO anule el dispositivo de seguridad del enchufe polarizado.

Protección del cable de alimentación

Los cables de alimentación deben disponerse de forma que no se puedan pisar y sin objetos sobre o contra ellos que los puedan aplastar; prestando especial atención a los cables cerca de los enchufes, las tomas de corriente y los lugares donde los cables se conectan al altavoz.

Sobrecarga

No sobrecargar las tomas de la pared ni los cables de prolongación, puesto que esto puede provocar incendios o sacudidas eléctricas.

Introducción de objetos y líquidos

No introducir nunca ningún tipo de objetos por las aberturas del altavoz, ya que pueden tocar puntos de tensión peligrosos o eliminar piezas por cortocircuito, lo cual puede provocar incendios o sacudidas eléctricas. No derramar ningún líquido en el altavoz.

Mantenimiento

No intente reparar o revisar el altavoz, puesto que al abrir o retirar las tapas puede exponerse a una tensión peligrosa y a otros riesgos.

Calor

Este altavoz debe colocarse lejos de fuentes de calor como radiadores, rejillas de aire caliente, cocinas y demás aparatos (incluyendo los amplificadores) que producen calor.

Periodos en que no se utiliza

Cuando el altavoz no se utiliza durante un largo periodo de tiempo, se debe desenchufar su cable de alimentación.

Reparación de averías

Este altavoz debe ser revisado y reparado por personal técnico cualificado en los siguientes casos:

- (A) El cable de alimentación o el enchufe presentan daños.
- (B) Se han introducido objetos o se ha derramado líquido dentro del altavoz.
- (C) El altavoz se ha mojado con la lluvia.
- (D) El altavoz no funciona normalmente o se ha producido un cambio notable en la calidad del sonido.
- (E) El altavoz se ha caído o su caja se ha dañado.

"ENERGY", el logotipo de "ENERGY", "Take 5+1", el logotipo de "Take 5+1", y "API Accessories" son marcas registradas de "Dolby", "Dolby Pro-Logic" y "Dolby Digital Surround" son marcas registradas de Dolby Laboratories Licensing. DTS es una marca registrada de Digital Theater Systems Inc.

INTRODUCCIÓN

Nos complace acogerle como nuevo propietario de un Sistema de Altavoces **ENERGY**.

Los altavoces **ENERGY** son el resultado de una amplia investigación en reproducción sonora de precisión y constituyen lo más avanzado en bafles por su diseño y rendimiento. Gracias al empleo de los mejores componentes y materiales para la caja, al proceso ultramoderno de fabricación y a los controles de calidad, los bafles **ENERGY** garantizan muchos años de funcionamiento excepcional y de placer de escucha.

Le rogamos que lea atentamente las instrucciones de este manual para asegurarse de que su equipo está debidamente instalado y funciona correctamente.

Desempaquete su sistema con cuidado. Conserve la caja y todo el material de embalaje para utilizar posteriormente en caso de necesidad.

CONEXIÓN DEL BAFLE A UN EQUIPO AUDIOVISUAL

Existen fundamentalmente dos métodos para conectar el baffle **ENERGY** a un equipo audiovisual. Se trata de la conexión de nivel alto y de la de nivel bajo. Los componentes del equipo determinarán el método que habrá de emplearse, pero la conexión de nivel alto puede emplearse con casi todos los receptores o amplificadores.

PRECAUCIÓN A) NO DEBEN EMPLEARSE SIMULTÁNEAMENTE LOS MÉTODOS DE NIVEL ALTO Y BAJO. B) APAGAR TODO EL EQUIPO ESTEREOFÓNICO ANTES DE EMPEZAR A INSTALAR EL BAFLE.

Conexión de nivel alto (Véase el diagrama 1)

En la parte trasera de la caja del baffle **ENERGY** se encuentra un bloque llamado "High Level" (nivel alto). En dicho bloque hay dos pares de terminales para altavoces que deben conectarse con los terminales de salida para altavoz del amplificador o del receptor audiovisual. En cada par de terminales hay uno de color negro y otro rojo.

NOTA: Estos terminales admiten hilos de altavoz de calibre 18 inclusive.

ADVERTENCIA: La conexión del amplificador o del receptor con el baffle debe hacerse de terminal rojo a terminal rojo y de terminal negro a terminal negro. Si por error se invirtieran las conexiones (por ejemplo, rojo con negro), se advertirá la ausencia de bajos en el baffle.

Utilización de la salida para baffle de un receptor o procesador audiovisual (Véase el diagrama 2 - Conexión 1 de nivel bajo)

En este método se emplea un solo cable RCA a RCA de interconexión para conectar la salida para baffle ("SUBWOOFER OUTPUT") del receptor o procesador audiovisual con la entrada para baffle ("SUBWOOFER INPUT"). Con este método no se eliminan las frecuencias bajas de los altavoces principales.

Utilización de un filtro externo (Véase el diagrama 3 - Conexión 2 de nivel bajo)

En este método se emplea un solo cable RCA a RCA de interconexión para conectar la salida para baffle ("SUBWOOFER OUTPUT") del receptor o procesador audiovisual con el filtro externo ("XOVER INPUT") del baffle. Con este método se evitan los mandos incorporados de nivel y de filtro pasivo del baffle. Las funciones del baffle se controlan mediante el filtro externo. Para mayor información, véase el manual del usuario del filtro externo.

REGULACIÓN DE LA INSTALACIÓN

Para conseguir los mejores resultados al instalar un equipo, sitúese en la posición de escucha habitual mientras que otra persona realiza los siguientes ajustes:

- 1 Colocar el regulador de nivel del baffle en la posición cero y el regulador del filtro LP del baffle en 50 Hz. Poner los mandos de sonoridad (loudness), graves y agudos y los del equalizador del preamplificador o del amplificador o receptor integrados en las posiciones normales intermedias.
- 2 Poner un disco compacto, un disco de vinilo o un vídeo que contenga abundantes bajos.
- 3 Girar paulatinamente el regulador de nivel del baffle en el sentido de las agujas de un reloj hasta lograr un equilibrio neutro entre los bajos intensos del baffle y los altavoces principales y auxiliares.
- 4 Girar lentamente el regulador del filtro LP del baffle en el sentido de las agujas de un reloj hasta conseguir la mejor combinación de bajos intermedios con los altavoces principales y auxiliares. Éste será el punto en el que los bajos producen un impacto firme y tienen plenitud.

Si los bajos intermedios retumban demasiado o tienen mala definición, debe girarse el regulador en sentido contrario al de las agujas de un reloj hasta lograr el mejor punto de equilibrio. Cuando el sonido es demasiado fino (por ejemplo, cuando las voces masculinas no suenan plenamente), girar el mando en el sentido de las agujas de un reloj hasta lograr el mejor punto de equilibrio.

NOTA: El regulador de nivel del baffle se ha concebido para controlar el equilibrio entre el baffle y los altavoces principales y auxiliares. Por tanto, no debe emplearse para sustituir a los mandos de graves y de sonoridad del amplificador o del receptor. Para conseguir las frecuencias bajas más suaves debe emplearse el regulador de nivel del baffle, pero si se desean más bajos, deben utilizarse los mandos de graves o de sonoridad del amplificador o del receptor principal.

CARACTERÍSTICAS Y MANDOS

Circuito de encendido y apagado automáticos

El baffle viene equipado con un circuito especial de encendido y apagado automáticos. Este circuito enciende automáticamente el baffle desde el momento en que percibe una señal de programa. Cuando la señal de programa acaba, este circuito apaga automáticamente el baffle. El tiempo que transcurre entre el final de la señal y el apagado está establecido de antemano.

Circuito de protección de corte

Muchos de los baffles con alimentación que se encuentran en el mercado producen sonidos distorsionados debido al corte de los niveles altos de entrada. El circuito de protección de corte (CPC) patentado por **ENERGY** percibe continuamente el nivel de la señal de entrada y se ajusta de manera automática con el fin de prevenir el corte de la forma de la onda, manteniendo así una reproducción de los bajos sin distorsión.

Terminales de entrada y salida de nivel alto

Los terminales de entrada de nivel alto permiten conectar el baffle a las salidas para altavoz de cualquier receptor o amplificador de potencia audiovisuales. Véase el apartado "Conexión del baffle a un equipo audiovisual".

Conexiones de entrada RCA de nivel bajo

Las dos conexiones de entrada RCA permiten conectar el baffle a: 1) la salida mono para baffle de un receptor o procesador audiovisual, o 2) la salida para baffle de un filtro pasivo externo.

NOTA: Al utilizar la entrada del filtro pasivo externo se evitan el regulador de nivel del baffle y el del filtro LP situados en el tablero trasero del baffle, que, por tanto, no tienen ningún efecto en el baffle.

MANDOS

Regulador de nivel del baffle

Este mando giratorio permite controlar el nivel de salida del baffle **ENERGY** y debe emplearse para ajustar el nivel del baffle con el de los altavoces principales o auxiliares. Véase el apartado "Regulación de la instalación".

Regulador del filtro LP

Este mando giratorio permite controlar la reducción gradual de las frecuencias altas del baffle. Varía continuamente entre 50 Hz y 100 Hz y se emplea para hacer coincidir con precisión la reproducción de los bajos del baffle con la de los altavoces principales o auxiliares. Véase el apartado "Regulación de la instalación".

ACÚSTICA DE LA HABITACIÓN Y SITUACIÓN DEL BAFLE

Los baffles **ENERGY** pueden colocarse en cualquier lugar de la habitación sin que ello afecte demasiado a la estereofonía de los altavoces principales. No obstante, la interacción entre cualquier baffle y la acústica de la habitación puede tener ciertas consecuencias sobre los bajos. En este apartado se hallará información para colocar el baffle en la habitación de manera que se obtenga el mejor rendimiento de los bajos.

PRECAUCIÓN: LOS BAFLES ENERGY LLEVAN UN AMPLIFICADOR INCORPORADO Y HAN DE ESTAR SUFICIENTEMENTE VENTILADOS. NO DEBEN COLOCARSE CERCA DE FUENTES DE CALOR NI DE NADA QUE PUEDA IMPEDIR SU VENTILACIÓN.

Aunque no se necesita que el espacio entre el baffle y el punto de escucha esté libre, es importante dejar una separación de unas 4 pulgadas (10 cm) entre el baffle y las paredes o el mobiliario de la habitación.

Por lo general, es preferible conectar los baffles relativamente cerca del equipo audio, utilizándose para ello cables cortos que, además, pueden disimularse más fácilmente.

La interacción entre la acústica de la habitación y un baffle está estrechamente relacionada con la proximidad del baffle a las paredes. Habitualmente, si el baffle se sitúa en un rincón o cerca de un rincón producirá la mayor cantidad posible de bajos. Cuando se coloca junto a una pared y lejos de un rincón, se obtienen menos bajos. La menor cantidad de bajos se logra al situar el baffle más bien en el centro de la habitación.

Debe advertirse también que colocar el baffle en un rincón puede producir bajos con mala definición o que returnban. Las dos últimas posiciones descritas anteriormente permiten una mejor definición de los bajos.

Rogamos que se pruebe el baffle en diferentes lugares de la habitación hasta encontrar un lugar que permita unos bajos "profundos y suaves". El hecho de desplazar el baffle uno o dos pies (de 30 a 60 cm) produce a menudo una gran mejoría del sonido.

Es preferible escuchar grabaciones musicales conocidas y con frecuencias bajas abundantes para establecer el lugar en que se colocará el baffle.

COLOCACIÓN Y CONEXIÓN DE LOS ALTAVOCES ENERGY DE LA SERIE TAKE 5

Para lograr el mejor rendimiento, siga las siguientes indicaciones:

Empleo de los altavoces Take2 como altavoces principales izquierdo y derecho

Para conseguir el mejor efecto estereofónico, se recomienda colocar los altavoces a una distancia de entre 6 y 10 pies (2 a 3 m). La distancia entre los altavoces y el oyente debe ser de una a una vez y media la distancia entre los altavoces. Véanse las figuras 5 y 6 para conexión y colocación.

Altavoz del canal central Take1

El altavoz del canal central permite que la imagen sonora central, incluyendo en ella las voces de los actores, dé la impresión de que surge de la pantalla. Para obtener mejores resultados, el altavoz del canal central debe colocarse inmediatamente encima o debajo de la pantalla del televisor. Véanse las figuras 5 y 6 para la colocación y conexión.

Empleo de los altavoces Take2 como altavoces de efectos ambientales

Los altavoces de efectos ambientales deben situarse junto a la zona principal de escucha y ligeramente detrás, en la pared del fondo o colgados del techo, con el fin de que den sensación de espacio y ambiente tanto para el formato Dolby Pro Logic™ como para el nuevo Dolby Digital™ de efectos ambientales. Véanse las figuras 5 y 6 para la colocación y conexión.

Exigencias para el amplificador

Los altavoces **ENERGY** han sido concebidos para lograr niveles de audición superior con una potencia moderada y, al mismo tiempo, son compatibles con amplificadores de gran potencia. La mayoría de altavoces **ENERGY** tiene 8 ohm de impedancia nominal y funcionan sin problemas con una amplia gama de amplificadores y receptores.

NOTA: Cuando se use más de un par de altavoces por amplificador o receptor, consulte al fabricante del amplificador para comprobar si el amplificador soporta cargas de 4 ohm.

MANTENIMIENTO DEL ACABADO

Con el fin de quitar polvo y manchas, deben limpiarse los altavoces suavemente con un paño húmedo de vez en cuando. No emplee productos abrasivos. Para quitar el polvo en el tejido de la rejilla, puede emplearse el accesorio en forma de cepillo de su aspirador o una esponja ligeramente humedecida.

POLÍTICA DE GARANTÍA LIMITADA

La garantía del producto fuera de Estados Unidos y de Canadá puede estar sometida a legislaciones diferentes según el país. Para conocer con más detalle la GARANTÍA LIMITADA que se aplica en su país, consulte a su distribuidor local.

IMPORTANTE: Le rogamos que conserve la caja y el material de embalaje de este producto **ENERGY** para protegerlo en caso de que deba enviarlo a un servicio de reparación. Los productos dañados que el servicio de reparación reciba del usuario en un embalaje distinto al original serán reparados, restaurados y debidamente empaquetados para devolución al usuario pero por cuenta de éste.

GARANTÍA PARA ESTADOS UNIDOS Y CANADÁ (consulte el reverso)

ISTRUZIONI IMPORTANTI PER LA SICUREZZA DEL SUBWOOFER

Leggere le istruzioni

Prima di procedere all'utilizzo del prodotto, leggere tutte le istruzioni relative al suo funzionamento ed alle misure di sicurezza.

Conservare le istruzioni

Per eventuali ulteriori riferimenti, non scartare le istruzioni relative al funzionamento del prodotto e alle misure di sicurezza.

Attenersi alle avvertenze

Rispettare ogni avvertenza indicata sul prodotto e contenuta nelle istruzioni per il funzionamento.

Seguire le istruzioni

Attenersi a tutte le istruzioni per l'uso e il funzionamento del prodotto.

Pulizia

Prima di procedere alla pulizia del prodotto, staccarlo dalla presa di corrente nella parete. Non utilizzare detersivi liquidi od aerosol, ma ricorrere ad un panno umido.

Attacchi

Non impiegare attacchi diversi da quelli raccomandati dal fabbricante del prodotto per non provocare rischi.

Acqua ed umidità

Non utilizzare il prodotto in vicinanza dell'acqua: per esempio, vicino ad una vasca da bagno, un lavandino del bagno, un lavandino di cucina o una tinozza per lavare la biancheria, in uno scantinato umido o vicino ad una piscina.

Aerazione

Il mobiletto è provvisto di apposite aperture e fessure per l'aerazione in grado di assicurare il funzionamento efficiente del prodotto proteggendolo dal surriscaldamento: tali aperture non devono essere né bloccate né coperte. Affinché non si verifichi mai un bloccaggio, fare attenzione a non appoggiare il prodotto su un letto, un divano, un tappeto od altre superfici simili. Evitare anche di collocarlo in un elemento incassato come una libreria o uno scaffale a meno che non vi sia aerazione adeguata, o siano state rispettate le istruzioni del fabbricante.

Fonti di energia

Il prodotto deve essere fatto funzionare solo mediante la fonte energetica indicata sull'etichetta d'identificazione. Nel caso d'incertezza circa il tipo di alimentatore usato nella vostra abitazione, contattate il dettagliante o l'azienda elettrica locale. Per i prodotti alimentati da batteria, od altra fonte energetica, consultare le istruzioni per il funzionamento.

Collegamento a terra o polarizzazione

Il prodotto può essere fornito di linea a corrente alternata con spina polarizzata (cioè, una spina con una lamella più larga dell'altra). Questo tipo di spina può essere infilato nella presa elettrica in un solo modo, costituendo quindi un elemento di sicurezza. Se non è possibile inserire completamente la spina nella presa, provare a capovolverla. E se la spina continua a non inserirsi, contattate un elettricista che provveda a sostituire la presa ormai inadeguata. È importante NON rendere inoperante l'elemento di sicurezza presente nella spina polarizzata.

Protezione del cavo di alimentazione

I fili elettrici devono essere disposti in modo da non venire calpestati o compressi da oggetti che possono esservi appoggiati sopra o contro; prestare particolare attenzione ai fili a livello delle spine, delle prese di corrente, e del punto in cui fuoriescono dal prodotto.

Sovraccarico

Evitare di sovraccaricare le prese nella parete o i prolungamenti dato che ciò può provocare rischio d'incendio o di scossa elettrica.

Introduzione di un oggetto o di liquido

Non introdurre mai alcun oggetto nel prodotto attraverso le aperture dato che questo può venire a contatto con punti pericolosi della tensione o tratti di cortocircuito generando un incendio o scossa elettrica. Inoltre, fare sempre attenzione a non versare alcun liquido sul prodotto.

Manutenzione

Evitare di effettuare la manutenzione del prodotto da soli dato che aprire o togliere le coperture può esporre a tensione pericolosa od altri rischi.

Calore

Il prodotto deve essere collocato lontano da fonti di calore come radiatori, elementi riscaldanti, stufe od apparecchiature elettriche che generano calore (inclusi gli amplificatori).

Periodi di inattività

Il cavo di alimentazione del prodotto dovrebbe essere staccato dalla presa durante lunghi periodi di non utilizzo.

Danni che richiedono manutenzione

Il prodotto deve essere sottoposto a manutenzione eseguita da personale qualificato quando:

- (A) il cavo di alimentazione o la spina sono stati danneggiati, oppure
- (B) degli oggetti sono caduti dentro il prodotto, od è stato versato del liquido sull'apparecchio, oppure
- (C) il prodotto è rimasto esposto alla pioggia, oppure
- (D) l'apparecchio non funziona normalmente o si registra notevole cambiamento nella prestazione sonora, oppure
- (E) il prodotto è stato lasciato cadere, o l'involucro ha subito danni.

"ENERGY", il logo "ENERGY", "Musical Truth", "Take 5+1", il logo "Take 5+1" e "API accessories" sono marchi di commercio della Audio Products International Corp. "Dolby", "Dolby Pro-Logic" e "Dolby Digital Surround" sono marchi di commercio della Dolby Laboratories Licensing. DTS è un marchio di commercio di Digital Theater Systems Inc.

INTRODUZIONE

Siamo orgogliosi di darvi il benvenuto come nuovo proprietario di un sistema di speakers **ENERGY**!

Gli speakers **ENERGY** sono il risultato di una ricerca approfondita nella riproduzione accurata del suono, e rappresentano la tecnologia più avanzata nella progettazione e prestazioni di questo tipo di apparecchi. Componenti di altissima qualità, ottimi materiali per il mobiletto, una fabbricazione sofisticata e prove di controllo qualitativo contribuiscono ad assicurare un rendimento eccezionale e un ascolto gradito per lungo tempo.

Vi suggeriamo di leggere attentamente le istruzioni contenute nel manuale per accertarvi che il sistema sia installato in modo adeguato, e quindi funzioni bene.

Procedere con cautela nel togliere il sistema dall'involucro, conservando la scatola e tutto il materiale d'imballaggio per possibili usi futuri.

COLLEGAMENTO DEL SUBWOOFER AL SISTEMA AUDIOVIDEO

Vi sono essenzialmente due modi per collegare il subwoofer **ENERGY** al sistema audiovisivo. Il primo è il "Collegamento ad alto livello" e il secondo il "Collegamento a basso livello". Gli elementi che compongono il vostro sistema indicheranno quale metodo utilizzare, ma il Collegamento ad alto livello è praticamente applicabile ad ogni ricevitore o amplificatore.

AVVERTIMENTO: (A) NON USARE CONTEMPORANEAMENTE ENTRAMBI I METODI A BASSO ED ALTO LIVELLO (B) SPEGNERE IL SISTEMA STEREOFONICO PRIMA DI PROCEDERE ALL'INSTALLAZIONE DEL SUBWOOFER.

Come utilizzare i collegamenti ad alto livello (v. diagramma 1)

Sul retro del mobiletto del subwoofer **ENERGY** si trova un calibro a blocchetto con l'indicazione "alto livello": in esso sono contenuti due paia di terminali di speakers che vanno collegati ai terminali d'uscita dello speaker dell'amplificatore o ricevitore audiovisivo. Ogni paio di terminali è contraddistinto dal colore nero/rosso.

NOTA: Questi terminali possono ricevere un filo dello speaker fino a calibro 18.

IMPORTANTE: Fare sempre attenzione a collegare il rosso col rosso e il nero col nero al momento di effettuare il collegamento tra amplificatore/ricevitore e il subwoofer. Se, involontariamente, viene invertito uno dei collegamenti (p.e., rosso con nero), noterete una mancanza di bassi da parte del subwoofer.

Utilizzo dell' "uscita del subwoofer" di un ricevitore o processore audiovisivo. (v. diagramma 2 – Collegamento 1 a basso livello)

Questo metodo utilizza un unico cavo di interconnessione RCA-a-RCA per collegare la presa "USCITA DEL SUBWOOFER" dal ricevitore o processore audiovisivo all'"INGRESSO" dell'Altoparlante. Questo metodo non elimina le basse frequenze dagli speakers principali che continueranno a riprodurre le frequenze dei bassi.

Utilizzo di un incrocio esterno (v. diagramma 3 – Collegamento 2 a basso livello).

Questo metodo utilizza un unico cavo di interconnessione RCA-a-RCA per collegare la presa dell'"USCITA DEL SUBWOOFER" da un incrocio esterno all'"INGRESSO DELL'INCROCIO" del subwoofer. Questo metodo scavalca i regolatori di livello e d'incrocio incorporati nell'Altoparlante; le funzioni del subwoofer sono controllate dall'incrocio esterno (per ulteriori dettagli, v. il Manuale dell'Utente per l'incrocio esterno).

PROCEDURA PER LA CALIBRAZIONE

Per installare il sistema nel miglior modo possibile, mettetevi nella posizione d'ascolto abituale e lasciate che un'altra persona effettui le messe a punto seguenti:

1. Predisporre il regolatore di livello del subwoofer nella posizione zero e il regolatore del filtro passa basso a 50Hz. Fissare nella posizione normale o al punto intermedio la potenza, i bassi/alti, e/o i regolatori d'equalizzazione del preamplificatore o amplificatore integrato/ricevitore.
2. Suonare un CD conosciuto, o un disco o la colonna sonora di un video con un notevole contenuto di bassi.
3. Poi, gradualmente, girare in senso orario il regolatore di livello del subwoofer fino a quando sia stato raggiunto un equilibrio neutro tra l'uscita dei bassi profondi del subwoofer e gli speakers principali/satelliti.
4. Girare lentamente, in senso orario, il controllo del filtro passa basso del subwoofer per raggiungere la mescolanza ideale dei medio bassi mediante gli speakers principali/satelliti. A questo punto i bassi riescono a mantenere un impatto pieno e consistente. Se i medio bassi "rimbombano" o non sono ben definiti significa che vi siete portati troppo in avanti e dovete girare il regolatore in senso antiorario fino a raggiungere il punto di maggior equilibrio. Qualora il suono sia troppo sottile (p.e., le voci maschili non hanno pienezza), girare il regolatore in senso orario fino a raggiungere il punto con migliore equilibrio.

NOTA: Il regolatore di livello del subwoofer è progettato in modo da controllare l'equilibrio tra l'Altoparlante e gli speakers principali/satelliti, e non dovrebbe venire usato come sostituto dei regolatori dei bassi o della potenza nell'amplificatore o ricevitore. Occorre regolare il livello del subwoofer per ottenere una prestazione di bassa frequenza che sia il più uniforme possibile. Qualora si preferisca una presenza più intensa di bassi, occorre spostare in avanti i regolatori dei bassi/o della potenza dell'amplificatore o ricevitore.

CARATTERISTICHE DEL SUBWOOFER

Circuito Auto-On/Auto-Off

Il subwoofer è munito di un circuito speciale "Auto-on/Auto-off". Si tratta di un circuito che accende automaticamente l'Altoparlante appena rileva un segnale di programmazione. In un momento predeterminato, dopo l'arresto di tale segnale, il circuito spegne automaticamente il subwoofer.

Circuito protettivo per il taglio dei picchi

Molti subwoofer amplificati presenti sul mercato producono una distorsione del suono come risultato del taglio dei picchi ad alti livelli d'ingresso. Il Circuito Protettivo per il Taglio dei Picchi (CPC) marchio **ENERGY** rileva su base continua il livello del segnale d'ingresso, e si regola automaticamente per non limitare l'ampiezza della forma d'onda ed evitare distorsione nella riproduzione dei bassi.

Ingresso ad alto livello e terminali d'uscita

Gli ingressi ad alto livello permettono di collegare il subwoofer alle uscite dello speaker di un qualsiasi ricevitore audiovideo od amplificatore di potenza. Il segnale emesso dai terminali d'uscita ad alto livello passa attraverso un filtro incorporato ad alto passaggio. Vedi "Collegamento del subwoofer al sistema audiovideo".

Prese d'ingresso a basso livello RCA

Le due prese d'ingresso RCA permettono di collegare il subwoofer a: 1) la monuscita del subwoofer di un ricevitore/processore audiovideo, OPPURE 2) l'uscita del subwoofer di un incrocio esterno.

NOTA: Usando l'ingresso dell'incrocio esterno, il regolatore di livello del subwoofer e il regolatore del filtro LP (passa basso) collocato sul pannello posteriore dell'Altoparlante vengono scavalcati senza provocare alcun effetto nei confronti del subwoofer.

REGOLATORI DI FUNZIONAMENTO DEL SUBWOOFER

Regolatore di livello del subwoofer

Questo regolatore rotativo mette a punto il livello d'uscita del subwoofer **ENERGY** e dovrebbe venire usato per equilibrare il livello dell'Altoparlante con quello degli speakers principali/satelliti. Vedi "Procedura per la calibrazione".

Regolatore del filtro LP (passa basso)

Questo regolatore rotativo mette a punto l'attenuazione dell'alta frequenza del subwoofer; è dato che varia continuamente da 50 Hz a 100Hz, viene appunto utilizzato per armonizzare la riproduzione dei bassi dell'Altoparlante con quella degli speakers principali/satelliti. Vedi "Procedura per la calibrazione".

ACUSTICA DELLA STANZA E COLLOCAZIONE DEL SUBWOOFER

I subwoofer **ENERGY** possono praticamente essere collocati in qualsiasi punto della sala d'ascolto senza influire in modo significativo sulla riproduzione del suono stereofonico degli speakers principali. Tuttavia, l'interazione tra ogni subwoofer e le proprietà acustiche di una stanza avranno sempre un impatto sul rendimento complessivo dei bassi. Leggere con attenzione questa sezione del manuale può aiutarvi a collocare il subwoofer in un punto della stanza che garantisca una riproduzione ottimale dei suoni bassi.

AVVERTENZA: I SUBWOOFER ENERGY HANNO INCORPORATO UN AMPLIFICATORE E, PER MOTIVI DI RAFFREDDAMENTO, DEVONO ESSERE ESPOSTI AD UNA GIUSTA VENTILAZIONE. EVITARE QUINDI DI COLLOCARE L'ALTOPARLANTE VICINO A FONTI DI CALORE O AD UN QUALSIASI ELEMENTO CHE POSSA OSTRIURE TALE VENTILAZIONE.

Nonostante non sia necessario disporre di spazio libero tra il subwoofer e il punto di ascolto, è importante però mantenere circa 4 pollici (10 cm.) di spazio libero tra l'Altoparlante e le pareti o l'arredamento della stanza.

Di solito, sono anche preferibili cavi di collegamento più corti (e più facili da nascondere), quindi è consigliabile che l'Altoparlante venga collocato abbastanza vicino al sistema audio.

L'interazione tra l'acustica della stanza e qualsiasi subwoofer è strettamente correlata alla vicinanza di quest'ultimo alle pareti. Avviene generalmente che un subwoofer posto in un angolo, o vicino ad un angolo, produca una maggiore uscita di bassi, mentre posto lungo una parete ma lontano da un angolo – dia luogo ad un'uscita di bassi inferiore. Infine, collocando l'Altoparlante ancora più distante nella stanza, si ottiene la riproduzione di suoni bassi più limitata.

È bene anche tenere presente che la collocazione ad angolo, pur producendo un maggior volume di bassi, li rende meno definiti o "rimbombanti". Sono le ultimi due collocazioni sopraindicate che finiranno, man mano, col.

Vi incoraggiamo pertanto a fare degli esperimenti collocando il subwoofer in punti diversi della stanza d'ascolto al fine d'identificare la posizione in cui si può ottenere una prestazione "profonda ed equilibrata". Spesso, basta solo spostare il subwoofer di uno o due piedi (30-60 cm.) per migliorare notevolmente l'effetto sonoro.

Al momento di cercare la collocazione più indicata per l'Altoparlante, non dimenticate di usare registrazioni musicali note, caratterizzate da un gran numero di informazioni sulla bassa frequenza.

MODALITÀ PER LA COLLOCAZIONE E CONNESSIONE DEGLI ALTOPARLANTI ENERGY SERIE TAKE 5

Per ottenere il massimo rendimento, siete pregati di seguire le istruzioni che seguono:

Utilizzare Take2 come altoparlanti principali di destra e sinistra

Per realizzare la migliore separazione stereofonica, si raccomanda che i due speakers vengano posti a una distanza da 6 a 10 piedi (2-3 m.) l'uno dall'altro. La distanza tra gli speakers e chi ascolta dovrebbe corrispondere a circa una volta, o una volta e mezzo, quella che separa gli speakers. **Vedi illustrazione 5 e 6 per la connessione e la collocazione.**

Altoparlante del canale centrale Take1

Lo scopo dell'altoparlante del canale centrale è di assicurare che l'immagine audio centrale, incluse le voci degli attori, sembri emanare dallo schermo. Per un migliore risultato, l'altoparlante del canale centrale dovrebbe essere collocato direttamente al di sopra, o al di sotto dello schermo televisivo. **Rivolgetevi alle illustrazioni 5 e 6 per la connessione e collocazione.**

Utilizzare Take2 come altoparlanti con effetti ambiofonici

Gli altoparlanti con effetti ambiofonici dovrebbero essere posti vicino, e leggermente dietro, all'area di maggiore ascolto, sia sulla parete posteriore che sul soffitto in modo da poter fornire un senso di spazio ed atmosfera per le caratteristiche d'entrata del Dolby Pro Logic™ o del nuovo Dolby Digital™ Surround. **Rivolgetevi alle illustrazioni 5 e 6 per la connessione e collocazione.**

Caratteristiche dell'amplificatore

Gli altoparlanti **ENERGY** sono stati progettati in modo da poter raggiungere alti livelli di ascolto con potenza media e in grado di sostenere, al tempo stesso, la potenza di uscita di grandi amplificatori. La maggior parte degli altoparlanti **ENERGY** presentano un'impedenza nominale di 8 ohms, e possono funzionare bene con un'ampia gamma di amplificatori e di ricevitori.

NOTA: utilizzando più di un paio di altoparlanti per amplificatore o ricevitore, è bene controllare col fabbricante dell'amplificatore che il prodotto sia in grado di sostenere carichi di 4 ohms.

COME AVER CURA DELLA FINITURA

Si consiglia di strofinare leggermente gli altoparlanti, di tanto in tanto, con un panno umido in modo da togliere la polvere o le macchie. Non usare detersivi abrasivi. Per eliminare la polvere dal tessuto della griglia, ricorrere alla spazzola dell'aspirapolvere o ad una spugna appena umida.

NORME DI GARANZIA LIMITATA

Garanzia al di fuori degli Stati Uniti e del Canada:

Le garanzie del prodotto possono essere gestite in modo diverso da paese a paese. Rivolgetevi al dettagliante locale per maggiori informazioni relative alla GARANZIA LIMITATA in vigore nel vostro paese.

IMPORTANTE: Conservare la scatola e l'imballaggio di questo prodotto **ENERGY** per proteggerlo qualora dovesse essere rispedito ad un centro di assistenza tecnica per riparazioni. I prodotti spediti a questo centro e ricevuti in un contenitore diverso da quello originale verranno riparati, sottoposti a revisione e di nuovo imballati e rispediti con spesa a carico dell'utilizzatore.

GARANZIA PER STATI UNITI E CANADA (vedi copertina posteriore)

WICHTIGE SUBWOOFER-SICHERHEITSANWEISUNGEN

Lektüre der Anweisungen

Sicherheits- und Betriebsanweisungen vor Inbetriebnahme des Produktes bitte durchlesen.

Aufbewahren der Anweisungen

Sicherheits- und Betriebsanweisungen für zukünftige Informationszwecke bitte aufbewahren.

Beachten der Achtungshinweise

Achtungshinweise auf Produkt- und Betriebsanweisungen bitte beachten.

Beachten der Anweisungen

Betriebs- und Gebrauchsanweisungen bitte beachten.

Reinigen

Stromzufuhr vor Reinigen des Produktes abschalten. Bitte nicht flüssige Reinigungs- oder Sprühmittel, sondern einfach feuchtes Tuch zum Reinigen verwenden.

Zubehörteile

Keine Zubehörteile benutzen, die nicht vom Hersteller empfohlen werden, da dies mit Gefahr verbunden sein könnte.

Wasser und Feuchtigkeit

Produkt nicht in der Nähe von Wasser wie z.B. einer Badewanne, einer Küchenspüle, einer Waschbütte oder in einem naßen Untergeschoß oder in der Nähe eines Schwimmbeckens benutzen.

Lüftung

Schlitze und Öffnungen in der Box dienen zur Lüftung, gewährleisten einen einwandfreien Betrieb des Produktes und schützen vor Überhitzung. Sie dürfen nicht blockiert oder bedeckt werden. Wenn das Produkt auf ein Bett, ein Sofa, einen Teppich oder eine andere Unterlage gestellt wird, sollten sie ebenso niemals blockiert werden. Das Produkt sollte nicht in Einbaumöbel wie z.B. ein Buchregal oder einen Bücherschrank platziert werden, es sei denn die Lüftung ist genügend oder die Anweisungen des Herstellers werden befolgt.

Netzanschluß

Das Produkt sollte nur an ein Stromnetz angeschlossen werden, das mit den Angaben auf dem Markenschild übereinstimmt. Bei Unklarheiten über die Art der Stromversorgung Ihres Hauses bitte Ihren Händler oder Ihr Stromversorgungsunternehmen zu Rate ziehen. Bei Produkten, die mit Batteriestrom oder von anderen Stromquellen versorgt werden, bitte die Betriebsanweisungen befolgen.

Erdung oder Verpolsicherung

Das Produkt ist mit einem WS-Stecker mit Verpolschutz (ein Stecker, bei dem ein Kontakt breiter ist als der andere) ausgerüstet. Dieser Stecker kann aus Sicherheitsgründen nur in einer Richtung in eine Steckdose gesteckt werden. Versuchen Sie den Stecker anders herum einzustecken, wenn er nicht in die Steckdose passen will. Klappt es immer noch nicht, raten wir Ihnen, einen Elektriker kommen zu lassen, um die alte Steckdose auszutauschen. AUF KEINEN FALL die Sicherheitsbestimmung des Verpolschutzes umgehen.

Verbindungsschnurschutz Die elektrischen Verbindungsschnüre sollten so verlegt werden, daß nicht über sie gelaufen wird oder daß sie nicht von auf ihnen liegenden Gegenständen eingeklemmt werden. Dabei sollte besondere Aufmerksamkeit den Stellen zukommen, wo die Schnüre in einem Stecker bzw. einer Steckdose enden oder an dem Punkt, wo sie von dem Produkt wegführen.

Überbelastung

Steckdosen oder Verlängerungsschnüre sollten nicht überbelastet werden, da sonst Feuergefahr oder Risiken von Stromschlägen bestehen.

Eindringen von Gegenständen oder Flüssigkeiten

Niemals sollten Gegenstände irgendwelcher Art durch die Öffnungen in dem Produkt gesteckt werden, da dadurch Kontakte unter Spannung berührt oder Teile kurzgeschlossen werden können, was zu Feuergefahr oder Risiken von Stromschlägen führen könnte. Ebenso sollten niemals Flüssigkeiten irgendwelcher Art über das Produkt verschüttet werden.

Reparatur und Wartung

Niemals versuchen, selbst das Produkt zu reparieren oder zu warten, da man bei Lösen oder Entfernen der Wände berührungsfähiger Spannung oder anderen Gefahren ausgesetzt sein kann.

Wärmequellen

Das Produkt sollte nicht in der Nähe von Wärmequellen wie z.B. Heizkörpern, Heizrohren, Öfen oder anderen wärmeerzeugenden Geräten (inklusive Verstärkern) aufgestellt werden.

Perioden der Nichtbenutzung

Bei längeren Perioden der Nichtbenutzung sollte die Verbindungsschnur des Produktes aus der Steckdose gezogen werden.

Inanspruchnahme eines Kundendienstes bei Schäden

Das Produkt sollte von einem qualifizierten Kundendienst repariert und gewartet werden, wenn

- die Verbindungsschnur oder der Stecker beschädigt wurde oder
- Gegenstände in das Gerät gefallen oder Flüssigkeit über es verschüttet wurde oder
- das Produkt im Regen stand oder
- das Gerät nicht mehr normal funktioniert oder in seiner Klangwiedergabe einen offensichtlichen Wechsel zeigt oder
- das Produkt hingefallen ist oder das Gehäuse beschädigt wurde.

"ENERGY", das "ENERGY" Logo, "Take 5 +1", das "Take 5 +1" Logo und "API Accessories" sind Warenzeichen von Audio Products International Corp. "Dolby", "Dolby Pro-Logic" und "Dolby Digital Surround" sind Warenzeichen von Dolby Laboratories Licensing. DTS ist ein Warenzeichen von Digital Theater Systems Inc.

Einleitung

Wir beglückwünschen Sie als Eigentümer eines ENERGY-Lautsprechersystem.

Die ENERGY-Lautsprecher sind das Ergebnis umfassender Forschungen auf dem Gebiet bester Klangwiedergabe und führender Technologien auf dem Gebiet Design und Leistung. Hochwertige Komponenten und Materialien sowie modernste Herstellungs- und Qualitätskontrollverfahren gewährleisten viele Jahre außergewöhnlicher Musikleistung und optimalen Hörgenusses.

Wir empfehlen, daß Sie alle Anleitungen dieses Handbuches genauestens beachten, um sicher zu stellen, daß Ihr Audio/Video-System ordnungsgemäß installiert ist und gut funktioniert.

Subwoofer sorgfältig aus der Verpackung entfernen. Verpackungskarton und -material für zukünftigen Gebrauch aufbewahren.

ANSCHLUSS DES SUBWOOFERS AN EIN AUDIO/VIDEO-SYSTEM

Es gibt zwei Methoden, um einen ENERGY Subwoofer an ein Audio/Video-System anzuschließen. Die erste heißt "High Level" oder "Hochpegel-Anschluß" und die zweite "Low Level" oder "Niedrigpegel-Anschluß". Welcher Anschluß benutzt werden soll, hängt von der Zusammensetzung Ihres Systems ab, doch im allgemeinen kann der Hochpegel-Anschluß mit jedem Receiver oder Verstärker benutzt werden.

ACHTUNG: A) NIEMALS BEIDE METHODEN GLEICHZEITIG BENUTZEN. B) STEREO-ANLAGE GANZ AUSSCHALTEN, BEVOR DER SUBWOOFER ANGESCHLOSSEN WIRD.

Benutzung des High-Level Anschlusses (siehe Abbildung 1)

Auf der Rückseite der Box des ENERGY Subwoofers befindet sich ein Klemmenblock mit der Aufschrift "High Level". Dieser Block enthält zwei Klemmenpaare. Diese sollten mit den Lautsprecheranschlüssen Ihres Verstärkers oder A/V Receivers verbunden werden. Jedes Klemmenpaar hat den Farbcode schwarz/rot.

HINWEIS: An die Klemmen kann Lautsprecherkabel bis zur Größe 18 angeschlossen werden.

ACHTUNG: Wenn eine Verbindung zwischen Verstärker/Receiver und Subwoofer hergestellt wird, immer die Kabel von roter zu roter und von schwarzer zu schwarzer Klemme verlegen. Wenn aus Versehen die Kabel anders angeschlossen werden (z.B. rot zu schwarz), kann sofort ein Klangverlust des Subwoofers bemerkt werden.

Benutzung des Subwoofer-Ausgangs eines A/V Receivers oder Prozessors (Siehe Abbildung 2 - Low Level Anschluß 1)

Bei dieser Art Anschluß wird ein RCA-zu-RCA Verbindungskabel verwendet, um die Buchse Subwoofer-Ausgang ("SUBWOOFER OUTPUT") des A/V Receivers oder Prozessors an den Eingang ("INPUT") des Subwoofers anzuschließen. Diese Methode entfernt nicht die tiefen Frequenzen in Ihren Hauptlautsprechern.

Sie werden also weiterhin Bässe wiedergeben.

Benutzung eines externen Crossovers (Siehe Abbildung 3 - Low Level Anschluß 2)

Bei dieser Art Anschluß wird ein RCA-zu-RCA Verbindungskabel verwendet, um die Buchse Subwoofer-Ausgang ("SUBWOOFER OUTPUT") eines externen Crossovers an den Crossover-Eingang ("XOVER INPUT") des Subwoofers anzuschließen. Bei dieser Methode werden die eingebauten Pegel- und Crossoverregelungen umgangen; die Regelungen des Subwoofers werden nun von einem externen Crossover vorgenommen (Genauere Einzelheiten sind im Handbuch des Eigentümers eines externen Crossovers zu ersehen).

FEINABSTIMMUNG

Um Ihr System optimal einzustellen, empfehlen wir Ihnen, sich in Ihren für Klangerlebnisse reservierten Sessel zu setzen und jemand anders nachstehende Einstellungen vornehmen zu lassen:

- Pegelkontrolle des Subwoofers auf Null setzen. Tiefpaßfilterkontrolle des Subwoofers auf 50 Hz setzen. Regelungen für Lautstärke, Höhen/Tiefen, und/oder Equalizer auf Ihrem Vorverstärker oder integrierten Verstärker/Receiver auf Normal- bzw. Mittelstellung setzen.
- Eine Ihnen vertraute CD, Schallplatte oder Video-Soundtrack mit vielen Bass-Passagen spielen lassen.
- Nach und nach die Pegelkontrolle des Subwoofers nach rechts drehen lassen, bis eine gleichmäßige Balance zwischen der Wiedergabe tiefer Bässe Ihres Subwoofers und der Ihrer Haupt-/ Satellitenlautsprecher hergestellt ist.
- Langsam die Tiefpaßfilterkontrolle nach rechts drehen lassen, bis die Wiedergabe der mittleren Bässe Ihres Subwoofers mit der Ihrer Haupt-/Satellitenlautsprecher übereinstimmt. An diesem Punkt haben die Bässe einen satten und starken Klang. Wenn die mittleren Bässe zu sehr dröhnen oder verzerrt sind, ist dieser Punkt überschritten worden. In einem solchen Fall sollte die Regelung nach links gedreht werden, bis die optimale Balance wieder hergestellt ist. Ist der Ton zu schwach (d.h. fehlt z.B. männlichen Sängern ein volles und starkes Klangbild), sollte die Regelung nach rechts gedreht werden, bis eine optimale Wiedergabe zu hören ist.

ANMERKUNG: Die Pegelkontrolle des Subwoofers dient zur Regelung der Balance zwischen dem Subwoofer und den Haupt-/Satellitenlautsprechern und sollte nicht als ein Ersatz für die Regelung der Bässe oder der Lautstärke auf Ihrem Verstärker oder Receiver benutzt werden. Pegel des Subwoofers so einstellen, daß eine gleichmäßige und angenehme Wiedergabe tiefer Frequenzen gegeben ist. Sind mehr Bässe erwünscht, Bass- und/oder Lautstärkeregelungen auf Ihrem Hauptverstärker oder Receiver vornehmen.

SUBWOOFER-MERKMALE

Auto Power (an/aus)

Der Subwoofer ist mit einer besonderen "Auto Power (an/aus)" Einrichtung ausgerüstet. Beim Empfang eines Übertragungssignals schaltet sie den Subwoofer automatisch ein. Hört dann nach einer vorbestimmten Zeit das Signal auf, schaltet sie den Subwoofer automatisch aus.

Clipping-Schutz

Bei vielen handelsüblichen, verstärkerbestückten Subwoofern trifft man auf eine verzerrte Klangwiedergabe wegen Signalverstümmelung bei hohen Eingangspegeln. Die firmeneigene **ENERGY** Clipping-Schutz Schaltung (CPC) überwacht kontinuierlich den Pegel der Eingangssignale und gleicht ihn automatisch an, um ein Abschneiden der Signale zu verhindern und eine unverzerrte Wiedergabe der Bässe zu gewährleisten.

Eingänge und Ausgänge H-Bereich

Die Eingänge für den H-Bereich dienen zum Anschluß des Subwoofers an die Lautsprecherausgänge eines A/V Receivers oder Leistungsverstärkers. Siehe "Anschluß des Subwoofers an ein Audio/Video-System".

RCA Eingänge L-Bereich

Die beiden RCA Eingänge dienen zum Anschluß des Subwoofers an folgende Ausgänge: ENTWEDER an den Subwoofer-Monoausgang eines A/V Receivers bzw. Prozessors ODER an den Subwoofer-Ausgang eines externen Crossovers.

ANMERKUNG: Bei Benutzung eines externen Crossover-Eingangs werden Pegelkontrolle und Tiefpaßfilterkontrolle auf dem rückseitigen Bord umgangen und haben keine Wirkung auf den Subwoofer.

SUBWOOFER-REGELUNGEN

Pegelkontrolle

Mit diesem Drehknopf kann der Ausgangspegel des **ENERGY** Subwoofer angesteuert werden. Bei dieser Kontrolle handelt es sich um eine stetig veränderliche Regelung im Bereich von 50 Hz bis 100 Hz. Sie wird ebenso dazu benutzt, um die Klangwiedergabe des Subwoofers genau auf die des Haupt-/Satellitenlautsprechers abzustimmen. Siehe "Feinabstimmung".

Tiefpaßfilterkontrolle

Mit diesem Drehknopf kann die Hochfrequenz-Filterdämpfung des Subwoofers angesteuert werden. Bei dieser Kontrolle handelt es sich um eine stetig veränderliche Regelung im Bereich von 50 Hz bis 100 Hz. Sie wird ebenso dazu benutzt, um die Klangwiedergabe des Subwoofers genau auf die des Haupt-/Satellitenlautsprechers abzustimmen. Siehe "Feinabstimmung".

AKUSTIK DES HÖRBEREICHS UND PLAZIEREN DES SUBWOOFERS

Prinzipiell können **ENERGY** Subwoofer überall im Hörbereich eines Zimmers aufgestellt werden, ohne daß der Stereo-Effekt der Hauptlautsprecher dabei wesentlich beeinträchtigt wird. Die gegenseitigen Einwirkungen zwischen einem Subwoofer und den akustischen Eigenschaften eines Raumes haben jedoch einen Einfluß auf die Klangwiedergabe der Bässe insgesamt. Nachfolgender Abschnitt kann Ihnen dabei helfen, einen Platz für Ihren Subwoofer zu finden, der klanglich die beste Wiedergabe der Bässe garantiert.

ACHTUNG: ENERGY SUBWOOFER HABEN EINEN EINGEBAUTEN VERSTÄRKER UND SIND AUF AUSREICHENDE LUFTZUFUHR ANGEWIESEN, UM ABZUKÜHLEN. DAHER SUBWOOFER NICHT IN DER NÄHE EINER HEIZUNG ODER ANDERER GEGENSTÄNDE AUFSTELLEN, DIE DIESE LUFTZUFUHR VERSPERREN.

Zwischen dem für Ihren Hörgenuß reservierten Sessel und dem Subwoofer können sich ohne weiteres Gegenstände befinden. Es ist jedoch wichtig, ungefähr 10 cm Zwischenraum zwischen dem Lautsprecher und den Wänden oder Möbeln zu lassen.

Im allgemeinen ist es besser, daß die Anschlußkabel kurz (und leichter zu verbergen) sind. Deshalb sollte der Subwoofer relativ nah an Ihrer HiFi-Anlage aufgestellt werden.

Die gegenseitigen Einwirkungen zwischen der Zimmerakustik und dem Subwoofer hängen von der Tatsache ab, wie nah sich der Lautsprecher an den Zimmerwänden befindet. Im allgemeinen ist die Klangwiedergabe eines Subwoofers, der unmittelbar in oder nahe an einer Zimmerecke steht, am stärksten. Sie wird geringer, wenn der Lautsprecher an einer Wand, also nicht in einer Ecke steht, und ist am geringsten, wenn er in der Mitte eines Wohnraums plaziert ist.

Man sollte jedoch daran denken, daß ein Subwoofer, der in einer Ecke steht, zwar in der Tat äußerst leistungsstark ist, dafür aber oft ein unangenehmes "Dröhnen" von sich gibt. Die beiden anderen Plätze werden sich nach und nach als die besten in puncto Klangwiedergabe herausstellen.

Wir empfehlen Ihnen, den Subwoofer an verschiedenen Plätzen in Ihrem Zimmer aufzustellen, bis Sie den Ort gefunden haben, der einen "vollen und angenehmen" Klang garantiert. Oft kann schon ein Verschieben von einem halben Meter eine klangliche Verbesserung zur Folge haben.

Ebenso möchten wir darauf hinweisen, daß Sie vorzugsweise Ihnen vertraute Aufnahmen mit vielen Bass-Passagen verwenden, wenn Sie mit verschiedenen Plätzen für Ihren Subwoofer experimentieren.

AUFSTELLEN UND ANSCHLIESSEN DER ENERGY-LAUTSPRECHER (TAKE 5-SERIE)

Um die Leistungsfähigkeit der Lautsprecher voll auszunützen, bitte nachstehende Anweisungen befolgen:

Benutzung Ihres Take2 als rechten und linken Front-Lautsprecher

Um einen optimalen Stereo-Effekt zu erhalten, empfehlen wir, die beiden Lautsprecher 2-3 m voneinander entfernt aufzustellen. Der Abstand zwischen den Lautsprechern und dem Hörer sollte etwa 1 bis 1 1/2 mal dem Abstand entsprechen, der die Lautsprecher trennt. **Siehe Abbildungen 5 und 6 für das Anschließen und Aufstellen.**

Centre-Lautsprecher Take I

Der Center-Lautsprecher soll sicherstellen, dass der zentrale Audio-Effekt, einschließlich der Stimmen der Schauspieler, aus dem Fernsehbildschirm zu kommen scheint. Um ein optimales Ergebnis zu erreichen, sollte der Center-Lautsprecher direkt über oder unter dem TV-Bildschirm aufgestellt werden. **Siehe Abbildungen 5 und 6 für das Anschließen und Aufstellen.**

Benutzung Ihres Take2 als Surround-Lautsprecher

Die Lautsprecher für Surround-Effekte sollten neben und ein wenig hinter dem Haupthörbereich an der Rückwand oder an der Decke installiert werden, um den Raumklangeffekt des Dolby Pro Logic™ oder des neuen Dolby Digital™ Surround Systems zu vermitteln. **Siehe Abbildungen 5 und 6 für das Anschließen und Aufstellen.**

Bedingungen für Verstärker

ENERGY Lautsprecher sind hergestellt worden, um mit verhältnismäßig geringer Leistung auf eine hohe Lautstärke gebracht zu werden, können es aber auch gleichzeitig mit großen Lautsprechern aufnehmen. Die meisten **ENERGY** Lautsprecher haben eine Nenn-Impedanz von 8 Ohm und können in Verbindung mit den verschiedensten Verstärkern und Empfängern benutzt werden.

ANMERKUNG: Bei Benutzung von mehr als zwei Lautsprechern pro Verstärker oder Receiver, erkundigen Sie sich bitte bei dem Hersteller, ob der Verstärker mit 4 Ohm belastet werden kann.

PFLEGE DER BOXEN

Oberfläche der Lautsprecherboxen von Zeit zu Zeit mit einem feuchten Tuch abwischen, um Staub oder Flecke zu entfernen. Keine Scheuermittel benutzen. Um den Staub vom Bespannstoff zu entfernen, Bürstenteil Ihres Staubsaugers oder einen leicht befeuchteten Schwamm benutzen.

BEGRENZTE GEWÄHRLEISTUNG

Gewährleistung außerhalb der USA und Kanadas: Die gesetzlichen Bestimmungen in bezug auf die für dieses Produkt gegebene Gewährleistung können je nach Land verschieden sein. Erkundigen Sie sich bei Ihrem Fachhändler nach den genauen Einzelheiten einer BEGRENZTEN GEWÄHRLEISTUNG, die in Ihrem Land gegeben wird.

WICHTIG: Bitte Verpackungsmaterial dieses Mirageproduktes aufbewahren, damit es im Falle eines Versandes zur Reparatur an einen Kundendienst geschützt ist. Ein Produkt, das von dem Endverbraucher nicht in der Originalverpackung versandt und von einem Kundendienst in beschädigtem Zustand erhalten wurde, wird beim Rückversand zu Kosten des Endverbrauchers repariert und ordnungsgemäß verpackt.

GARANTIE FÜR DIE USA UND KANADA (siehe Rückseite)

VIGTIGE SIKKERHEDSREGLERFOR BASHØJTTALER

Læs brugsanvisningen

Man bør læse alle sikkerheds- og brugsanvisninger, før produktet tages i brug.

Gem vejledningerne

Sikkerheds- og brugsanvisningerne bør opbevares for fremtidigt brug.

Ret Dem efter advarslerne

Man bør rette sig efter alle advarsler på enheden og i brugsanvisningen.

Følg anvisningerne

Alle anvisninger på betjening og anvendelse bør følges.

Rensning

Tag ledningen ud af stikket før rengøring. Brug ikke flydende eller aerosol rensmidler. Brug en fugtig klud til rengøring.

Ekstraudstyr

Brug ikke ekstraudstyr, der ikke er godkendt af fabrikanten af enheden. Det kan være ødelæggende.

Vand og fugtighed

Brug ikke enheden i nærheden af vand - for eksempel badekar, vaskefad, køkkenvask eller vandbalje; i en våd kælder eller nær ved et svømmebassin.

Ventilation

Der er riller og åbninger i kabinettet til ventilation og for at sikre pålidelig drift og for at beskytte mod overophedning. Disse åbninger må ikke dækkes eller blokeres. De bør ligeledes ikke blokeres ved at enheden anbringes på en seng, sofa, tæppe eller lignende overflade. Enheden bør ikke anbringes i et indbygget reolsystem, medmindre der er tilstrækkelig ventilation, og fabrikantens vejledninger i øvrigt følges.

Strømkilder

Enheden bør kun tilsluttes den strømtypen, der er angivet på etiketten. Hvis De ikke ved, hvilken strømforsyning Deres hjem har, kan De spørge Deres forhandler eller elværket. Oplysninger om de enheder, der drives af batterier eller andre strømkilder, kan findes i brugsanvisningen.

Jordforbindelse eller polarisation

Enheden kan have et polariseret vekselstrømsstik (et stik, hvor det ene ben er bredere end det andet). Dette stik passer kun ind i kontakten på en måde. Det er en sikkerhedsforanstaltning. Hvis stikket ikke kan sættes helt ind i kontakten, kan De vende stikket. Hvis stikket stadigvæk ikke passer, kan De tilkalde en elektriker, der kan udskifte den forældede kontakt. Omgå IKKE sikkerheden i et polariseret stik.

Beskyt netledningen

Ledninger bør trækkes, så man ikke træder på dem, og så de ikke bliver klemt af ting, der anbringes på eller op mod dem. Man skal især være opmærksom på ledninger ved stik, dæser og hvor de går ind i enheden.

Overbelastning

Stik i vægge og forlængerledninger bør ikke overbelastes, da det kan resultere i brandfare eller elektriske stød.

Ting og væske

Stik aldrig ting ind i enheden gennem åbninger. De kan komme i kontakt med farlige strømførende dele eller forårsage en kortslutning, der kan resultere i brand eller elektriske stød. Undgå at spilde nogen form for væske på enheden.

Reparation

Prøv ikke selv at reparere enheden. Åbning eller fjernelse af paneler kan udsætte Dem for farlige spændinger og andre faremomenter.

Varme

Enheden bør anbringes i god afstand fra varmekilder såsom radiatorer, varmeriste, ovne eller andre varmeproducerende ting (f.eks. forstærkere).

Perioder, hvor enheden ikke bruges

Enhedens netledning bør tages ud af stikket, når enheden ikke bruges i lang tid.

Skader, der skal repareres

Enheden bør repareres af en fagmand, når

- (A) Netledningen eller stikket er blevet beskadiget, eller
- (B) Noget er faldet ned på enheden, eller der er spildt væske ned i den, eller
- (C) Enheden har været udsat for regn, eller
- (D) Enheden ikke virker normalt, eller der er store ændringer i den lydæssige kvalitet, eller
- (E) Enheden er blevet tabt, eller panelerne er blevet beskadigede.

"ENERGY", "ENERGY" logoet, "Take 5+1" og "Take 5+1" logoet samt "API Accessories" er varemærker tilhørende Audio Products International Corp. "Dolby", "Dolby Pro-Logic" og "Dolby Digital Surround" er varemærker tilhørende Dolby Laboratories Licensing. DTS er et varemærke tilhørende Digital Theater Systems Inc.

INDLEDNING

Tillykke med Deres nye **ENERGY** højttaler system.

ENERGY højttalere er et resultat af en omfattende forskning i akkurat lydgenivelse, og er førende indenfor højttalere med hensyn til design og ydelse. Udsøgte komponenter og kabinetmaterialer sammen med en højtudviklet fremstillingsproces og kvalitetskontrol sikrer, at De vil kunne glæde Dem over en fantastisk genivelse og lyd kvalitet mange år frem i tiden.

Giv Dem tid til at læse alle instruktionerne i denne brugsanvisning, så De kan være sikker på, at Deres system er korrekt installeret, og at det fungerer rigtigt.

Vær forsigtig, når De pakker højttaleren ud. Gem kassen og alt pakkematerialet, i tilfælde af De senere skulle få brug for det.

TILSLUTNING AF BASHØJTTALER TIL AUDIO/VIDEO SYSTEM

Man kan forbinde **ENERGY** bashøjttaleren til et audio/video system på to måder; "højniveau" eller "lavniveau" metoden. Komponenterne i Deres system bestemmer hvilken metode, der skal anvendes, men en "højniveau" tilslutning kan anvendes til stort set alle modtagere eller forstærkere.

ADVARSEL: (A) LAVNIVEAU OG HØJNIVEAU METODERNE MÅ IKKE ANVENDES SAMTIDIGT. (B) AFBRYD STRØMMEN TIL STEREOSYSTEMET FØR TILSLUTNINGEN AF BASHØJTTALEREN PÅBEGYNDES.

Anvendelse af højniveau tilslutning (Se tegning 1)

Bagest på **ENERGY** højttalerens kabinet sidder en "højt niveau" enhed. Enheden indeholder to par højttalerterminaler. De skal forbindes til højttaler-udgangsterminalen på en forstærker eller A/V modtager. Hvert terminal-par er farvekodet sort/rød.

BEMÆRK: Man kan anvende op til 18 gauge højttalerledning i terminalerne.

HUSK: Forbind altid rød til rød og sort til sort, når forstærkeren/modtageren forbindes til bashøjttaleren. Hvis De kommer til at vende forbindelserne (f.eks. rød til sort), vil De bemærke mangelen på bas fra bashøjttaleren.

Brug af bashøjttalerudgangen på en A/V modtager eller processor (Se tegning 2 - Lavniveau tilslutning 1)

Denne metode anvender en enkelt RCA-til-RCA forbindelsesledning til at forbinde "BASHØJTTALER-UDGANG" stikket på en A/V modtager eller processor til bashøjttaler "INDGANG". Denne metode fjerner ikke de lave frekvenser fra hovedhøjttalerne, så de vil fortsat gengive basfrekvenser.

Brug af et eksternt delfrekvensfilter (Se tegning 3 - Lavniveau tilslutning 2)

Denne metode anvender en enkelt RCA-til-RCA forbindelsesledning til at forbinde "BASHØJTTALER-UDGANG" stikket fra det eksterne delfrekvensfilter til "DELFREKVENNS INDGANG" på bashøjttaleren. Ved denne metode går man uden om bashøjttalerens indbyggede niveau- og delfrekvens kontrol. Bashøjttalerens funktion kontrolleres af det eksterne delfrekvensfilter. (Se brugsanvisningen for eksternt delfrekvensfilter for yderligere oplysninger).

KALIBRERING VED OPSÆTNING

For at opnå det bedste resultat, når De sætter systemet op, bør De sætte Dem i Deres normale lytteposition og få en anden til at foretage følgende justeringer:

1. Sæt bashøjttalerens niveauekontrol i 0 stilling. Indstil bashøjttaler LP filterknappen til 50Hz. Indstil alle styrke-, bas/diskant-, og/eller equalizer knapper på forforstærkeren eller den integrerede forstærker/modtager til deres normale midterstilling.
2. Spil en velkendt CD, plade eller videolydspor med en god bas.
3. Drej gradvist bashøjttalerens niveauekontrol med uret, til der er en neutral balance mellem den dybe bas fra bashøjttaleren og hoved/satellit højttalerne.
4. Drej langsomt bashøjttalerens LP filterkontrol med uret, indtil den bedste mellembas balance med hoved/satellit højttalerne findes. Det vil være den indstilling, hvor bassen har en solid krop og fylde.

Hvis mellembassen lyder buldrende eller udefineret, er kontrolknappen drejet for langt og bør drejes modsat, til den bedste balance er fundet. Hvis lyden er for tynd (F.eks. mandsstemmer mangler fylde), drejes kontrolknappen mod uret, til den rette balance er fundet.

BEMÆRK: Bashøjtalerens niveauekontrol er beregnet til at indstille balancen mellem bas- og hoved/satellit højtalerne, og bør ikke bruges som en erstatning for bas eller styrke kontrollen på forstærkeren eller modtageren. Juster bashøjtalerens niveau, så den giver den blødeste lavfrekvens lydgenivelse. Hvis man ønsker mere bas, øges bas og/eller styrkekontrollen på hovedforstærkeren eller modtageren.

BASHØJTTALEREN ER Udstyret MED

Auto-On/Auto-Off kredsløb

Bashøjtaleren har en speciel "Auto-on/Auto-off" kredsløb. Dette kredsløb tilsætter automatisk bashøjtaleren, så snart den modtager et signal. På et forudbestemt tidspunkt - efter signalets slutning - afbryder kredsløbet automatisk bashøjtaleren.

Beskyttelseskredsløb for afskæring

Mange af de forstærkede bashøjtalere, der findes på markedet, giver en forvrænget lyd, fordi de afskærer høje indgangsniveauer. Det navnebeskyttede **ENERGY** Clipping Protection Circuit (CPC) overvåger hele tiden indgangssignalets niveau og justerer det automatisk for at forhindre afskæring af lydbølgens form og vedligeholder derved en uforvrænget basgenivelse.

Ind- og udgangsterminaler for høje indgangsniveauer

Høj-niveau indgangene gør, at De kan forbinde bashøjtaleren til højtalerudgangene på alle A/V modtagere eller forstærkere. Se "Tilslutning af bashøjtaler til audio/videosystem".

Lav-niveau RCA indgangsstik

De to RCA indgangsstik gør det muligt at forbinde bashøjtaleren til: 1) bashøjtaler mono-udgangen på en A/V modtager/processor 2) bashøjtaler udgangen på et eksternt delfrekvensfilter.

BEMÆRK: Når den eksterne frekvensfilter indgang anvendes, går man uden om bashøjtalerens niveau- og LP filter kontrol, der sidder på højtalerens bagpanel, og de har således ingen virkning på bashøjtaleren.

BASHØJTTALERENS KONTROLKNAPPER

Bashøjtalerens niveauekontrol

Denne drejeknap justerer udgangsniveaue på **ENERGY** bashøjtaleren og bruges til at afbalancere bashøjtalerens niveau til hovedsatellit højtalerens niveau. Se "Kalibrering ved opsætning".

LP Filterkontrol

Drejknappen justerer afskæringen af de høje frekvenser i bashøjtaleren. Den kan indstilles fra 50 Hz til 100 Hz og anvendes for at opnå en nøjagtig tilpasning mellem bashøjtalerens og hoved/satellit højtalerens basgenivelse. Se "Kalibrering ved opsætning".

RUMMETS AKUSTIK OG ANBRINGELSE AF BASHØJTTALEREN

ENERGY bashøjtalere kan stort set anbringes hvor som helst i rummet uden væsentlig indvirkning på hovedhøjtalerens stereoeffekt. Men samspillet mellem alle bashøjtalere og rummets akustik vil have nogen indvirkning på bassens totale lydbillede. Læsning af det følgende afsnit vil hjælpe Dem til at finde den placering i rummet, der vil give den bedste bas genivelse.

ADVARSEL: ENERGY BASHØJTTALERE HAR EN INDBYGGET FORSTÆRKER OG SKAL HAVE TILSTRÆKkelig VENTILATION FOR KØLING. BASHØJTTALEREN MÅ IKKE ANBRINGES NÆR VARMEKILDER ELLER ANDET, DER KAN HINDRE VENTILATIONEN.

Selv om en uhindret linie mellem bashøjtaleren og lyttepositionen ikke er nødvendig, er det vigtigt, at der er en skabes en afstand på ca. 10 cm. til vægge eller møbler.

Korte forbindelsesledninger er almindeligvis bedst (og lettere at skjule), derfor er det som regel ønskeligt at anbringe bashøjtaleren forholdsvis nær ved audio-udstyret.

Samspillet mellem rummets akustik og en bashøjtaler afhænger af, hvor tæt bashøjtaleren er på en væg. Anbringelse af en bashøjtaler i eller tæt på et hjørne vil normalt give den største baseffekt. Anbringelse langs en væg i god afstand fra et hjørne vil give mindre baseffekt, og hvis højtaleren anbringes længere inde i rummet, får man svageste baseffekt.

Man må ligeledes indse, at en placering i et hjørne, der godt nok giver den største effekt, ofte skaber en dårligt defineret eller buldrende bas. De to andre placeringer giver et mere akkurat lydbillede.

Vi anbefaler, at De eksperimenterer med forskellige placeringer af bashøjtaleren i rummet, så De kan finde det sted, der giver et "dybt og blødt" lydbillede. Det kan give en stor lyd mæssig forbedring, hvis bashøjtaleren flyttes bare 30-60 cm.

Vælg velkendt musik med masser af lavfrekvens, når De eksperimenterer med placering af højtaleren.

ANBRINGELSE OG TILSLUTNING AF DERES ENERGY "TAKE 5 SERIES" HØJTTALERE

Følg venligst nedenstående retningslinier for at opnå den bedste lydgenivelse:

Take2 som Højre og Venstre Hovedhøjtalere

For at opnå den bedste stereo deling anbefaler vi, at de to højtalere anbringes med 2-3 meters afstand. Afstanden fra højtalerne til lytteren bør være ca. 1 til 1,5 gange afstanden mellem højtalerne. **Se tegning 5 og 6 om tilslutning og placering.**

Take1 Midterkanal Højtaler

Formålet med midterhøjtaleren er at sikre, at det centrale lydbillede, f.eks skuespillernes stemmer, synes at komme fra skærmen. Man opnår det bedste resultat, hvis midterhøjtaleren anbringes lige over eller under TV skærmen. **Se tegning 5 & 6 hvordan højtalerne anbringes og tilsluttes.**

Take2 som Surround/Effekt Højtalere

Surround-effekt højtalere bør anbringes ved siden af eller lidt bag lytteområdet, på bagvæggen eller i loftet for at give rum- og atmosfærefornemmelse, uanset om De har Dolby Pro Logic™- eller det nye Dolby Digital™ Surround system. **Se tegning 5 & 6 hvordan højtalerne anbringes og tilsluttes.**

Krav til forstærkeren

ENERGY højtalere er bygget til at yde et højt lytteniveau med moderat input og samtidigt kunne klare kraftige forstærkere. De fleste **ENERGY** højtalere har en 8 ohm indgang, og de vil passe til de fleste forstærkere og modtagere.

BEMÆRK: Hvis der tilsluttes mere end et par højtalere per forstærker eller modtager, er det vigtigt at spørge leverandøren af forstærkeren, om forstærkeren kan klare belastninger på 4 ohm.

VEDLIGEHOLDELSE AF OVERFLADER

For at fjerne støv og pletter skal højtalerne nu og da tørres forsigtigt af med en fugtig klud. Brug ikke et rensmiddel, der kan ridse. Støv på forsidens stof kan fjernes med børsten til støvsugeren eller med en let fugtig svamp.

BEGRÆNSET GARANTI

Garanti udenfor USA og Canada:

Lovgivning om produktgaranti kan variere fra land til land. Spørg Deres lokale forhandler om enkelthederne i den BEGRÆNSEDE GARANTI, der er gældende for Deres land.

VIGTIGT: Gem venligst kassen og pakkematerialet til denne **ENERGY** enhed, så det kan bruges, hvis enheden skal sendes til reparation på et servicecenter. Enheder, der modtages i beskadiget stand på servicecenteret, og som ikke er sendt i den originale pakning, vil på kundens regning blive repareret, renoveret og rigtigt emballeret for returnering.

GARANTI FOR USA OG CANADA (SE BAGSIDEN)

BELANGRIJKE VEILIGHEIDS INSTRUCTIES

Lees de veiligheids instructies

Voor het gebruiken van dit product moeten alle veiligheids instructies en gebruiksaanwijzingen worden gelezen.

Bewaars de instructies

Alle veiligheids instructies en gebruiksaanwijzingen moeten worden bewaard om verdere nakijk mogelijk te maken.

Waarschuwende zorgmaatregelen

Alle waarschuwingen omtrent dit product en de gebruiksaanwijzingen moeten worden gevolgd.

Volg de gebruiksaanwijzingen

Alle gebruiksaanwijzingen moeten worden gevolgd.

Schoonmaken

Voor het schoonmaken moet de stekker van het product uit de muur getrokken worden. Gebruik geen vloeibare schoonmaakmiddel of een schoonmaakmiddel uit een spuitbus. Gebruik een vochtige doek voor het schoonmaken.

Vastbindingen

Gebruik geen sluitingen die niet door de fabrikant zijn aangeraden omdat dit risico's met zich mee kan brengen.

Water en vochtigheid

Gebruik dit product niet in de nabijheid van water - bijvoorbeeld vlak bij een bad, een wastafel, een aanrecht of een wastel; ook niet in een vochtige kelder of vlak bij een zwembad.

Ventilatie

Er zijn spleten en openingen in de kast die voor ventilatie zorgen zodat het product goed kan functioneren en om oververhitting te voorkomen. Deze openingen moeten niet geblokkeerd of bekleed worden. Ze moeten ook nooit worden geblokkeerd door het product op een bed, bank, tapijt of ander soortgelijke oppervlakte neer te zetten. Dit product moet niet in een ingebouwde installatie worden geplaatst zoals een boekenkast of een rekje mits er voor goede ventilatie wordt gezorgd, en dat de gebruiksaanwijzingen van de fabrikant zijn gevolgd.

Stroom

De stroom voor dit product moet alleen van het soort zijn wat op de etiket is aangegeven. Als u niet zeker bent van het soort stroom van uw huis, raadpleeg uw product wederverkoper of uw elektriciteitsbedrijf. Voor producten die vanaf een batterij of andere energiebronnen zullen functioneren verwijzen we naar de gebruiksaanwijzingen.

Aardverbinding of Polariseratie

Dit product kan voorzien zijn van een gepolariseerde wisselende stroomsnoer stekker (een stekker met een bredere lemmet dan de andere) Deze stekker past maar op één manier in het stopcontact. Dit is een veiligheidsmaatregel. Als u niet in staat bent om de stekker goed in het stopcontact te krijgen, probeer het andersom. Mocht het dan steeds niet lukken neem dan contact op met uw elektricien om de verouderde stekker te ver vangen. Probeer NIET de veiligheidsmaatregel van de gepolariseerde stekker te ontkennen.

Bescherming van de elektrische snoer

De elektrische snoeren moeten worden geleid om te voorkomen dat erop gelopen kan worden of dat objecten die erop of ertegen worden geplaatst ze niet kunnen afknellen, er moet vooral worden gelet op de snoer bij het stopcontact, de bak en de plek waar ze uit het product komen.

Overlading

Overlaad de stopcontacten en de verlengsnoeren niet omdat dit brand of elektroshok risico kan veroorzaken.

Inbrengen van een object of van vloeistof

Duw nooit een object door de geventen van dit product omdat ze in aanraking zouden kunnen komen met gevaarlijke voltage punten of ze zouden gedeeltes uit kunnen schakelen die brand of elektroshok kunnen veroorzaken. Mors nooit geen vloeistof op dit product.

Herstellen

Probeer nooit om dit product zelf te repareren door hem open te maken of door de dekking weg te halen, u kunt zich dan voor gevaarlijke voltage of ander gevaar blootstellen.

Verwarming

Dit product moet uit de buurt van warmte bronnen worden geplaatst zoals radiators, kachels, fornuizen en andere apparaten die warmte produceren (inclusief geluidsversterkers).

Niet in gebruik periodes

Als het product langere tijd niet zal worden gebruikt dan moet de stekker uit het stopcontact getrokken worden.

Beschadiging dat service nodig heeft:

Dit product moet door gekwalificeerd personeel nagekeken worden als:

- (A) De elektronische snoer of stekker beschadigd zijn, of als
- (B) Objecten of vloeistof binnen in het systeem zijn gevallen, of als
- (C) Het product in de regen is geweest, of als
- (D) Het systeem niet normaal functioneert of er verandering wordt geconstateerd in de geluidsprestatie, of als
- (E) Het product is gevallen of de omheining beschadigd is.

"ENERGY", het "ENERGY" logo, de "Take 5+1", en de "Take 5+1" logo en "API Accessories" zijn gedeponeerde handelsmerken van Audio Products International Corp. "Dolby", "Dolby Pro-Logic" en "Dolby Digital Surround" zijn gedeponeerde handelsmerken van Dolby Laboratories Licensing. DTS is een gedeponeerde handelsmerk van Digital Theater Systems Inc.

INLEIDING

Wij zijn trots om u als nieuwe eigenaar van een **ENERGY** Luidsprekers Installatie te verwelkomen.

ENERGY luidsprekers zijn de uitkomst van uitgebreid onderzoek naar precisie in geluidsreproductie en ze vertegenwoordigen leidinggevende design en prestatie in luidsprekers. De beste componenten en kastmaterialen gecombineerd met geavanceerde fabricatie en kwaliteitscontroles zullen er voor zorgen dat u jarenlang van uitzonderlijke prestatie en luisterplezier zult genieten.

Neemt u alstublieft de tijd om alle instructies van deze handleiding door te lezen om er zeker van te zijn dat uw systeem goed is geïnstalleerd en op de juiste manier functioneert.

Zorg ervoor dat u uw installatie zorgvuldig uitpakt. Bewaar de doos en het verpakkingsmateriaal voor toekomstig gebruik.

AANSLUITING VAN DE ULTRALAGETOONLUIDSPREKERS OP UW AUDIO/VIDEO INSTALLATIE

Er zijn voornamelijk twee manieren om uw **ENERGY** ultralagetoonluidsprekers op uw audio/video installatie aan te sluiten. De eerste manier is de "Hoog Niveau Aansluiting" en de tweede, de "Laag Niveau Aansluiting". De elementen van uw installatie zullen de manier die u moet gebruiken aangeven, maar de Hoog Niveau Aansluiting kan vrijwel met elke ontvanger of versterker gebruikt worden.

LET OP: (A) GEBRUIK DE HOOG NIVEAU AANSLUITING EN DE LAAG NIVEAU AANSLUITING NIET TEGELIJK. (B) SCHAKEL DE STROOM VAN UW GELUIDSINSTALLATIE UIT VOORDAT U MET DE AANSLUITING VAN UW ULTRALAGETOONLUIDSPREKERS BEGINT.

LAAG NIVEAU AANSLUITING GEBRUIK (ZIE DIAGRAM 1)

Aan de achterkant van uw **ENERGY** ultralagetoonluidsprekerskast bevindt zich een blok met de benoeming "High Level". Dit blok bevat twee paar luidsprekerterminals. Deze moeten aangesloten worden op de luidsprekerterminals van uw versterker of AV ontvanger. Elk terminalpaar hebben de kleurencode zwart/rood.

NOTE: Deze terminals nemen tot 18 Gauge luidsprekerkabels aan. OMTE ONTHOUDEN: Sluit altijd rood met rood en zwart met zwart aan als u de ultralagetoonluidsprekers met de versterker/ontvanger verbindt. Als u per ongeluk het tegenovergestelde aansluit (bijv. rood met zwart), dan kunt u merken dat er niet genoeg bas uit uw ultralagetoonluidsprekers komt.

BIJ HET GEBRUIK VAN DE "ULTRALAGETOONLUIDSPREKERS UITGANG" MET EEN A/V ONTVANGER OF PROCESSOR (ZIE DIAGRAM 2 laag niveau aansluiting 1)

Deze manier maakt gebruik van een enkel RCA-tot-RCA verbindingsaansluitkabel om de klink van de "ultralagetoonluidsprekers uitgang" van uw a/v ontvanger of processor aan te sluiten op de "ingang" (INPUT) van de ultralagetoonluidsprekers. Deze manier onderdrukt niet de lage frequenties van uw hoofd luidsprekers en ze zullen de basfrequenties blijven weergeven.

BIJ HET GEBRUIK VAN EEN UITGAANDE KRUISSING (ZIE DIAGRAM 3 laag niveau aansluiting 2)

Deze manier maakt gebruik van een enkel RCA-tot-RCA verbindingsaansluitkabel om de klink van de "ultralagetoonluidsprekers uitgang" van een uitgaande kruising aan te sluiten op de "XOVER ingang" (XOVER INPUT) van uw ultralagetoonluidsprekers. Deze methode houdt geen rekening met de niveau- en overgangcontroles die zich binnen de ultralagetoonluidsprekers bevinden; de functies van de ultralagetoonluidsprekers worden door de uitgaande kruising gecontroleerd. [Voor meer details zie de eigenaars handleiding van de uitgaande kruising (External Crossover).]

OPSTEL VAN HET KALIBER

Om de beste resultaten te bereiken wanneer u uw installatie opzet, neem dan uw normale luisterhouding aan en laat iemand anders de volgende handelingen uitvoeren om het geluid zuiver te stellen:

1. Plaats de Ultralagetoonluidsprekers Niveau Controle op de nul positie. Plaats de ultralagetoonluidsprekers LP Filter Controle op 50Hz. Plaats volume, bas/treble, en/of gelijkmakende controles van uw versterker of geïntegreerde versterker/ontvanger op normaal- of middenposities.
2. Speel een bekende CD, plaat, of video opname dat veel basgeluiden bevat.
3. Draai de Ultralagetoonluidsprekers Niveau Controle geleidelijk naar rechts totdat u een neutrale evenwicht bereikt tussen de diepe basuitkomst en uw hoofd/satelliet luidsprekers.

4. Draai de Ultralagetoonluidsprekers LP Filter Controle langzaam naar rechts om de beste middenbas mix te bereiken met uw hoofd/ satelliet luidsprekers. Dit zal het punt zijn dat de bas een sterk effect en volheid vasthoudt.

Wanneer de midden-bas te "boemachtig" of niet duidelijk genoeg klinkt, dan heeft u te ver gedraaid en moet de controleknop teruggedraaid worden totdat u het beste balanspunt hebt gevonden. Als het geluid te dun klinkt (bijv. de mannenstemmen zijn niet volledig duidelijk) draai dan de controleknop naar rechts voor een betere balans.

NOTA: De Ultralagetoonluidsprekers Niveau Controle is ontworpen om een evenwicht te bereiken tussen de ultralagetoonluidsprekers en uw hoofd/satelliet luidsprekers en is niet geschikt als vervanging van de bas- of geluidscontroles op uw versterker/ontvanger. Zet het niveau van de ultralagetoonluidsprekers op een zachte frequentie. Als u meer bas wenst gebruik dan de bas/geluidscontroles van uw hoofdversterker of ontvanger.

KENMERKEN VAN DE ULTRALAGETOONLUIDSPREKERS

Auto-On/Auto-Off elektrische stroom

Uw ultralagetoonluidsprekers zijn van speciale "Auto-On/Auto-Off" elektrische stroom voorzien. De stroom zet uw ultralagetoonluidsprekers automatisch aan zodra het een programma signaal ontdekt. Op een van te voren bepaald moment, nadat het programma signaal eindigt, zal de elektrische stroom van de ultralagetoonluidsprekers uitgaan.

BESCHERMING BIJ ONDERBREKING VAN DE ELEKTRISCHE STROOM

Vele ultralagetoonluidsprekers die op de markt verkrijgbaar zijn geven valse geluiden weer vanwege onderbrekingen als gevolg van hoge stroomniveau. De gedeponeerde handelsmerk **ENERGY** Clipping Protection Circuit (CPC) voelt steeds de inkomende stroomsignaal en past zich automatisch aan om onderbrekingen van de golflijn te voorkomen, zodat de basweergave ononderbroken blijft.

HOOG NIVEAU INGAANG EN UITGANGTERMINALS

De hoog niveau ingang geeft u de mogelijkheid om uw ultralagetoonluidsprekers aan te sluiten met de luidsprekeruitgangen van elk AV/ ontvanger of versterker. Zie "Aansluiting van de ultralagetoonluidsprekers naar uw Audio/Video installatie"

LAAG-NIVEAU RCA INGAANDE KLINKS

De twee RCA ingaande klinken geeft u de mogelijkheid om uw ultralagetoonluidsprekers aan te sluiten met de OF: 1) De ultralagetoonluidsprekers mono uitgang van een AV/ Ontvanger /Processor OF 2) De ultralagetoonluidsprekers uitgang van een uitgaande kruising (External Crossover).

NOTA: Bij het gebruik van een uitgaande kruisingang, zullen op de achterkant van de ultralagetoonluidsprekers de niveaucontrole en de LP Filter Controle van de ultralagetoonluidsprekers overgeslagen worden en zij zullen geen invloed hebben op de ultralagetoonluidsprekers.

BEDIENINGSKNOPEN VAN DE ULTRALAGETOONLUIDSPREKERS

ULTRALAGETOONLUIDSPREKERS FREQUENTIE CONTROLE

Deze niveaucontroleknop stelt het uitgangsniveau van uw **ENERGY** ultralagetoonluidsprekers zuiver en moet gebruikt worden om evenwicht te brengen tussen de ultralagetoonluidsprekers en de hoofdsatelliet luidsprekers. Zie "Opstel van het Kaliber".

LP FILTER KNOP

Deze niveaucontroleknop is om de hoge frequentie van de ultralagetoonluidsprekers aan te passen. Voortdurend variabel van 50Hz tot 100Hz, gebruikt om de ultralagetoonluidsprekers basproductie precies aan te passen met die van uw hoofd/satelliet luidsprekers. Zie "Opstel van het Kaliber".

KAMER AKOESTIEK & PLAATSING VAN DE ULTRALAGETOONLUIDSPREKERS

ENERGY ultralagetoonluidsprekers kunt u overal in de luisterruimte neer zetten zonder dat het stereobeeld van uw hoofd/sprekers wordt beïnvloed. Niettemin, wisselwerkingen tussen de ultralagetoonluidsprekers en de akoestiek van een kamer zullen invloed hebben op het geheel van de basprestatie. Dit gedeelte lezen kan u helpen bij het kiezen van een plek in uw kamer waar uw ultralagetoonluidsprekers de beste basprestatie weer kunnen geven.

PAS OP: ENERGY SUBWOOFERS HEBBEN EEN INGEBOUWDE VERSTERKER EN MOETEN VOLDOENDE VENTILATIE KUNNEN KRIJGEN OM AF TE KOELEN. PLAATS DE ULTRALAGETOONLUIDSPREKERS NIET IN NABIJHEID VAN EEN WARMTEBRON OF IETS WAT VENTILATIE TEGEN KAN HOUDEN.

Al is een vrije gang tussen de ultralagetoonluidsprekers en de luisterplek niet nodig, het is belangrijk om ongeveer 10 cm vrije ruimte over te houden tussen de ultralagetoonluidsprekers en de muur of de kamermeubels.

In het algemeen gaat de voorkeur naar kortere ophangkabels (ze zijn ook makkelijker verbergbaar), zodat u, zoals vaak wordt gewenst, uw ultralagetoonluidsprekers vrij dichtbij uw geluidsinstallatie neer kunt zetten.

Wisselwerking tussen de akoestiek van de kamer en ultralagetoonluidsprekers heeft te maken met hoe dichtbij de ultralagetoonluidsprekers bij de muren staan. Kenmerkend, wordt er meer basgeluid weergegeven als de ultralagetoonluidsprekers in of vlakbij een hoek worden neergezet, langs een muur en verderweg van een hoek zal er minder bas uitkomen en hoe verder ze in de kamer staan, hoe minder basgeluid.

Men moet er ook van bewust zijn dat de hoeklocatie ondanks meer basweergave, ook vaak een onduidelijker of boemachtige bas produceert. De laatste twee plekken zullen geleidelijk nauwkeuriger bas weergeven.

Wij moedigen u aan om verschillende plekken in uw huiskamer uit te proberen om uit te zoeken welke plek een "diepere en zachtige" prestatie levert. Vaak kan verplaatsing van de ultralagetoonluidsprekers van 30- 60cm een grote geluidsverbetering ten gevolge hebben.

Vergeet niet om bekende muziekopnames met vele lage tonen te gebruiken wanneer u zoekt naar waar u de ultralagetoonluidsprekers neer wilt zetten.

INSTALLATIE EN AANSLUITING VAN UW ENERGY TAKE 5-SERIES LUIDSPREKERS

Om het beste resultaat te verkrijgen moet u de volgende aanwijzingen volgen:

Gebruik van uw Take 2 als Linker- en Rechter- Hoofdluidsprekers.

Om de beste scheiding van de stereo te bereiken raden wij u aan om de twee luidsprekers 2 tot 3 m uit elkaar te zetten. De afstand tussen de luidsprekers en de luisteraar moet 1 tot 1,5 maal de afstand zijn van de scheidingstand tussen de luidsprekers. Voor aansluiting en plaatsing, zie illustraties 5 en 6.

De Take 1 middenkanaal luidspreker

Het doel van de middenkanaal luidspreker is er om ervoor te zorgen dat het centrale audio beeld, inclusief de stemmen van acteurs, uit het scherm lijken te voortvloeien. Voor een optimaal resultaat moet de middenkanaal luidspreker direct boven of onder het TV scherm worden geplaatst. Zie illustraties 5 en 6 voor de aansluiting en de plaatsing.

Uw Take2 als omringend effect luidsprekers gebruiken

De omringend effect luidsprekers moeten aangrenzend aan en een beetje achter de directe luisteromgeving geplaatst worden, tegen de achterste muur of aan het plafond, om een gevoel te geven van ruimtelijkheid en gezelligheid voor het Dolby Pro Logic™ of de nieuwe Dolby Digital™ omringende formaten. Zie illustraties 5 en 6 voor de aansluiting en de plaatsing.

Versterker behoeftes

ENERGY luidsprekers zijn ontworpen om een hoog luisterniveau te kunnen bereiken zonder veel energie nodig te hebben, terwijl het tegelijk de energieuitgang van grote versterkers aan kan. De meeste **ENERGY** luidsprekers hebben een 8 ohm impedantie en verzekeren een hoge kwaliteit met een brede reeks versterkers en ontvangers.

NOTA: Als u meer dan een paar luidsprekers per versterker of ontvanger gebruikt wilt u dan a.u.b contact opnemen met uw versterkerfabrikant om zeker te zijn dat de versterker een belasting van meer dan 4 ohms verdragen kan.

ONDERHOUD VAN DE LAKLAAG

De luidsprekers moeten af en toe zachtjes afgeveegd worden met een vochtige doek om stof en vlekken te verwijderen. Gebruik geen schuurmiddel. Gebruik de borstel van uw stofzuiger of een vochtige spons om stof van de kastbekleding te verwijderen.

BEPERKTE GARANTIEPOLIS

GARANTIE BUITEN DE VS EN CANADA

Produktgaranties kunnen van land tot land verschillen. Neem contact op met uw wederverkoper voor nadere details omtrent de BEPERKTE GARANTIE die in uw land van toepassing is.

BELANGRIJK: Bewaar de doos en het verpakkingsmateriaal van dit ENERGY produkt zodat u het kan beschermen als het ooit vervoerd moet worden naar een reparateur. Een produkt dat beschadigd bij de reparateur wordt ontvangen en dat door de gebruiker in een andere verpakking dan het oorspronkelijke is opgestuurd, zal worden gerepareerd en op de juiste manier ingepakt en vervoerd worden op kosten van de gebruiker.

GARANTIE IN DE VS EN CANADA (zie achterkant)

INSTRUÇÕES DE SEGURANÇA IMPORTANTES DO SUBWOOFER

Leia as instruções

Antes de colocar em funcionamento o aparelho, leia todas as instruções de funcionamento e de segurança.

Guarde as instruções

As instruções de funcionamento e de segurança devem ser guardadas para consulta quando necessário.

Preste atenção às advertências

Preste atenção a todas as advertências de funcionamento do aparelho.

Siga as instruções

Siga todas as instruções de funcionamento do aparelho.

Limpeza

Desligue o aparelho da corrente elétrica antes de limpá-lo. Não utilize produtos de limpeza líquidos ou em aerossol. Limpe com um pano úmido.

Acessórios

A fim de evitar acidentes, não utilize acessórios diferentes daqueles recomendados pelo fabricante.

Água e umidade

Não utilize o aparelho na presença de água como, por exemplo, banheiras, pias, piscinas ou piso molhado.

Ventilação

As fendas e aberturas servem para manter o aparelho ventilado a fim de assegurar seu bom funcionamento e evitar superaquecimento. Estas fendas e aberturas não devem ser obstruídas nem cobertas. Não coloque o aparelho sobre uma cama, sofá, tapete ou outra superfície semelhante a fim de não obstruir as fendas e aberturas de ventilação. O aparelho não deve ser colocado numa estante ou prateleira a menos que exista uma ventilação adequada e que as instruções do fabricante sejam seguidas.

Fontes de alimentação

Utilize apenas as fontes de alimentação elétrica indicadas nas especificações do aparelho. Em caso de dúvida sobre o tipo de energia elétrica fornecida à sua residência, consulte o vendedor do aparelho ou a companhia de energia elétrica local. Para os aparelhos projetados para ser utilizados com baterias ou outras fontes de alimentação, consulte as instruções de funcionamento.

Ligação à terra e polarização

É possível que o aparelho seja equipado com uma tomada polarizada para ser utilizada com corrente alternada. Como medida de segurança, neste tipo de tomada, uma lâmina é mais larga do que a outra de modo que a tomada só pode ser encaixada na parede em uma posição. Se não for possível encaixar a tomada na parede em uma posição, inverta a tomada e tente novamente. Se, mesmo assim, a tomada não se encaixa, peça a um electricista para trocar a tomada na parede por uma mais moderna. Para sua própria segurança, NÃO tome nenhuma medida para anular a polarização e dos lugares onde saem do aparelho.

Sobrecarga

A fim de evitar incêndios ou choques elétricos, não sobrecarregue as tomadas na parede nem os fios de extensão.

Objetos e líquidos dentro do aparelho

A fim de evitar incêndios e choques elétricos, nunca insira nenhum objeto nas aberturas e fendas do aparelho pois estes podem tocar em pontos de voltagem perigosos ou provocar curto-circuitos. Não derrame nenhum líquido sobre o aparelho.

Manutenção

Não tente consertar o aparelho você mesmo pois a abertura ou remoção da tampa do aparelho pode lhe expor a uma voltagem perigosa e a outros riscos.

Calor

Mantenha o aparelho longe de fontes de calor como placas de aquecimento, saídas de ar quente, fogões e fornos e outras fontes de calor, incluindo amplificadores.

Períodos quando o aparelho não está sendo utilizado

Retire da parede a tomada de alimentação de corrente se o aparelho não for ser utilizado por um longo período.

Defeitos ou danos ao aparelho

O aparelho deve ser examinado e consertado por pessoal técnico qualificado quando:

- (A) O fio de alimentação ou a tomada foram danificados.
- (B) Um objeto entrou no aparelho ou líquido foi derramado dentro do aparelho.
- (C) O aparelho tomou chuva.
- (D) O aparelho não funciona normalmente ou apresenta uma alteração perceptível da qualidade sonora.
- (E) O aparelho caiu e foi danificado.

O nome "ENERGY", o logotipo "ENERGY", o nome "Take 5 + 1", o logotipo "Take 5 + 1", e o nome "API Accessories" são marcas de comércio da Audio Products International Corp. "Dolby", "Dolby Pro-Logic" e "Dolby Digital Surround" são marcas de comércio da Dolby Laboratories Licensing. DTS é uma marca de comércio da Digital Theater Systems Inc.

INTRODUÇÃO

Bem-vindo à família **ENERGY** e parabéns pela sua compra de um sistema de som **ENERGY**.

Os subwoofers **ENERGY** são o resultado de pesquisas intensas para obter a reprodução sonora mais perfeita e seu design e rendimento são o que há de mais moderno. Graças ao emprego dos melhores componentes e materiais na fabricação da caixa acústica, ao processo ultramoderno de fabricação e a um rigoroso controle de qualidade, seus subwoofers **ENERGY** lhe proporcionarão muitos anos de funcionamento excepcional e de prazer auditivo garantido.

Sugerimos que leia atentamente as instruções a seguir a fim de instalar corretamente o seu sistema e assegurar um funcionamento perfeito.

Retire cuidadosamente seu sistema da embalagem. Guarde a caixa e todos os materiais de embalagem para utilizar posteriormente caso seja necessário.

CONEXÃO DO SUBWOOFER A UM SISTEMA ÁUDIO/VÍDEO

Existem dois métodos básicos para conectar o subwoofer **ENERGY** a um sistema de áudio/vídeo: a conexão de alto nível e a conexão de baixo nível. Os componentes do sistema determinarão qual o método que deverá ser utilizado. Contudo, a conexão de alto nível pode ser utilizada com quase todos os receptores ou amplificadores.

ADVERTÊNCIA: A) NÃO UTILIZE SIMULTANEAMENTE OS MÉTODOS DE ALTO NÍVEL E DE BAIXO NÍVEL. B) DESLIGUE TODOS OS COMPONENTES DO SISTEMA ESTEREOFÔNICO ANTES DE COMEÇAR A INSTALAR O SUBWOOFER.

Conexão de alto nível (Consulte o diagrama 1)

Na parte traseira da caixa do subwoofer **ENERGY** encontra-se um módulo chamado "High Level" (Alto Nível). Neste módulo, encontram-se dois pares de terminais para alto-falantes que devem ser conectados com os terminais de saída para alto-falante do amplificador ou do receptor A/V. Em cada par de terminais, um terminal é vermelho e o outro é preto.

NOTA: Estes terminais aceitam fios de alto-falante de até calibre 18.

ADVERTÊNCIA: A conexão do amplificador ou do receptor com o subwoofer deve ser sempre feita do seguinte modo: terminal vermelho com terminal vermelho e terminal preto com terminal preto. Se, por erro, as conexões forem invertidas (por exemplo, vermelho com preto), isso provocará uma ausência perceptível de baixos no subwoofer.

Utilização da saída para subwoofer de um receptor ou processador A/V (Consulte o diagrama 2 - Conexão 1 de baixo nível.)

Neste método, utiliza-se um único cabo "RCA a RCA" de interconexão para conectar a saída para subwoofer ("SUBWOOFER OUTPUT") do receptor ou processador A/V com a entrada para subwoofer ("SUBWOOFER INPUT"). Com este método, as frequências baixas dos alto-falantes principais não são eliminadas.

Utilização de um filtro de cruzamento externo (Consulte o diagrama 3 - Conexão 2 de baixo nível.)

Neste método, utiliza-se um único cabo "RCA a RCA" de interconexão para conectar a saída para subwoofer ("SUBWOOFER OUTPUT") do filtro de cruzamento externo com a entrada para filtro de cruzamento externo ("XOVER INPUT") do subwoofer. Este método permite desviar os controles integrados de nível e do filtro de cruzamento do subwoofer e, com isso, as funções do subwoofer são controladas pelo filtro de cruzamento externo. (Para maiores informações, consulte o manual de instruções do filtro cruzamento externo.)

CALIBRAGEM DA INSTALAÇÃO

Para conseguir os melhores resultados ao configurar seu sistema, coloque-se na posição de escuta habitual enquanto outra pessoa efetua os seguintes ajustes:

1. Colocar o controle de nível do subwoofer na posição zero e o regulador do filtro LP do subwoofer na posição 50 Hz. Colocar os controles de volume, graves e agudos, e os do equalizador do pré-amplificador ou do amplificador/receptor integrado nas posições normais ou intermediárias.
2. Colocar para tocar um CD, um LP ou um vídeo que contenha uma grande quantidade de baixos.
3. Girar lentamente o controle de nível do subwoofer no sentido horário até obter um equilíbrio neutro entre os baixos profundos do subwoofer e os alto-falantes principais e auxiliares.
4. Girar lentamente o controle do filtro LP do subwoofer no sentido horário até obter a melhor combinação de baixos intermediários com os alto-falantes principais e auxiliares. Este será o ponto no qual a qualidade dos baixos produzidos será a melhor.

Se os baixos intermediários são retumbantes demais ou são mal definidos, isto quer dizer que você foi longe demais. Neste caso, gire o controle no sentido anti-horário até encontrar o ponto de melhor equilíbrio. Se o resultado sonoro não tem volume suficiente (por exemplo, quando o som das vozes masculinas não é pleno), gire o controle no sentido horário até encontrar um ponto de melhor equilíbrio.

NOTA: O controle de nível do subwoofer foi projectado para controlar o equilíbrio entre o subwoofer e os alto-falantes principais/auxiliares. Por isso, não deve ser utilizado para substituir os controles de sons graves e de volume do seu amplificador ou receptor. Para obter as frequências baixas mais suaves, utilize o controle de nível do subwoofer. Se deseja mais baixos, utilize os controles de graves ou de volume sonoro do amplificador ou do receptor principal.

CARACTERÍSTICAS DO SUBWOOFER

Circuito Liga/Desliga automático

O seu subwoofer está equipado com um circuito especial que liga e desliga automaticamente o aparelho. Este circuito liga automaticamente o subwoofer no momento em que recebe um sinal de programa. Depois de um período pré-determinado após o término do sinal de programa, este circuito desliga automaticamente o subwoofer.

Circuito de protecção contra corte da forma de onda

Muitos subwoofers com alimentação própria disponíveis actualmente no mercado produzem sons distorcidos devido aos cortes nos níveis altos de entrada. O circuito de protecção contra corte (CPC) exclusivo da **ENERGY** verifica continuamente o nível do sinal de entrada e ajusta-se automaticamente a fim de evitar o corte da forma da onda e manter assim uma reprodução sem distorção dos sons graves.

Terminais de entrada e saída de alto nível

Os terminais de entrada de alto nível permitem que você conecte o subwoofer às saídas para alto-falante de qualquer receptor ou amplificador A/V. Consulte a seção "Conexão do subwoofer a um sistema A/V".

Conexões de entrada RCA de baixo nível

As duas conexões de entrada RCA permitem que você conecte o subwoofer a um dos seguintes componentes: 1. a saída mono para subwoofer de um receptor ou processador A/V; 2. a saída para subwoofer de um filtro externo.

NOTA: Quando utiliza-se a entrada do filtro externo o controle de nível do subwoofer o controle do filtro LP situados no painel traseiro do subwoofer são cancelados e não têm nenhum efeito sobre o subwoofer.

CONTROLES DO SUBWOOFER

Controle de nível do subwoofer

Este controle giratório permite ajustar o nível de saída do subwoofer **ENERGY** e deve ser utilizado para equilibrar o nível do subwoofer com o dos alto-falantes principais/auxiliares. Consulte a seção "Calibragem da instalação".

Controle do filtro LP

Este controle giratório permite ajustar a redução gradual das frequências altas do subwoofer. Ele pode variar continuamente entre 50 Hz e 100 Hz e é utilizado para fazer coincidir com precisão a subwoofer e a parede ou os móveis.

ACÚSTICA DA SALA E POSICIONAMENTO DO SUBWOOFER

Os subwoofers **ENERGY** podem ser posicionados em quase qualquer lugar da sala de escuta sem que isso afete de modo perceptível a imagem estereofónica dos alto-falantes principais. Contudo, a interação entre qualquer subwoofer e as características acústicas da sala pode ter certas consequências sobre o rendimento dos sons graves. Esta seção lhe oferece informações adicionais a fim de ajudá-lo a encontrar o lugar na sala onde seu aparelho proporcionará os sons graves de melhor qualidade.

ATENÇÃO: OS SUBWOOFERS ENERGY POSSUEM UM AMPLIFICADOR INTEGRADO E DEVEM ESTAR POSICIONADOS NUMA ÁREA DE VENTILAÇÃO ADEQUADA. ELES NÃO DEVEM SER COLOCADOS PRÓXIMOS DE FONTES DE CALOR NEM DE NENHUM OBJECTO QUE PODERIA OBSTRUIR A VENTILAÇÃO.

Embora não seja necessário que o espaço entre o subwoofer e o ponto de escuta esteja livre de obstáculos, é importante deixar uma separação de cerca de 10 cm (4 polegadas) entre o subwoofer e a parede ou os móveis.

Em geral, é preferível conectar os subwoofers relativamente próximos do equipamento de áudio, utilizando para isso cabos curtos que, além disso, podem ser escondidos mais facilmente.

A interação entre a acústica da sala e um subwoofer está muito relacionada com a distância entre o subwoofer e as paredes. Geralmente, quando o subwoofer está situado em um canto ou próximo de um canto, uma maior quantidade de baixos será produzida. Quando o subwoofer está situado junto a uma parede mais longe de um canto, a quantidade de baixos produzida será menor. Quanto mais próximo do centro da sala está situado o subwoofer, menor será a quantidade de baixos produzida.

Por outro lado, você deve estar consciente de que quando o subwoofer está situado num canto, isso pode produzir baixos mal definidos ou retumbantes. As duas últimas posições descritas anteriormente produzirão baixos de melhor definição.

Sugerimos que experimente colocar o subwoofer em diferentes lugares da sala até encontrar um lugar que produza os baixos "mais profundos e suaves". Muitas vezes, o simples fato de deslocar o subwoofer de 30 cm a 60 cm (1 a 2 pés) pode proporcionar uma grande melhoria na qualidade do som.

Sugerimos que ponha para tocar gravações musicais com uma grande quantidade de frequências baixas e com as quais está familiarizado quando for experimentar com diferentes posições para o subwoofer.

COLOCAÇÃO E CONEXÃO DOS ALTO-FALANTES ENERGY DA SÉRIE TAKE 5

Para obter o melhor rendimento, siga as instruções dadas abaixo:

Utilizando os seus alto-falantes Take2 como alto-falantes principais esquerdo e direito

Para obter a melhor separação estereofónica, recomendamos que coloque o par de alto-falantes separado de 2 a 3 m (6 a 10 pés). A distância do alto-falante ao ouvinte deve ser cerca de 1 a 1,5 vezes a distância entre os alto-falantes. **Consulte as figuras 5 e 6 para obter informações sobre conexão e posição.**

O alto-falante Take1 do canal central

O alto-falante do canal central permite que a imagem sonora central, incluindo as vozes dos actores, dê a impressão de que vem da tela. Para obter melhores resultados, o alto-falante do canal central deve ser colocado imediatamente acima ou abaixo da tela do televisor. **Veja as figuras 5 e 6 para a colocação e a conexão.**

Utilizando os seus alto-falantes Take2 como alto-falantes de efeitos ambientais

Os alto-falantes de efeito ambiental devem ser situados junto à zona principal de escuta mas ligeiramente atrás desta zona, na parede de trás ou ainda fixos no teto para darem a sensação de espaço e ambiente tanto para o formato Dolby ProLogic[®] quanto para o novo formato Dolby Digital[™] Surround. **Veja as figuras 5 e 6 para a colocação e a conexão.**

Exigências para o amplificador

Os alto-falantes **ENERGY** foram projectados para proporcionar níveis de escuta superior com uma potência moderada e, ao mesmo tempo, são compatíveis com amplificadores de grande potência. A maioria dos alto-falantes **ENERGY** tem uma impedância nominal de 8 ohm e funcionam sem problemas com uma ampla variedade de amplificadores e receptores.

NOTA: Quando estiver a utilizar mais de um par de alto-falantes por amplificador ou receptor, consulte o fabricante do amplificador para verificar se o amplificador suporta cargas de 4 ohm.

CUIDADO COM O ACABAMENTO

Para remover a poeira e manchas dos alto-falantes, deve limpá-los suavemente com um pano húmido de vez em quando. Não utilize produtos abrasivos. Para limpar a poeira acumulada no tecido da grade, pode utilizar a escova do aspirador ou uma esponja ligeiramente humedecida.

POLÍTICA DE GARANTIA LIMITADA

Garantia fora dos Estados Unidos e do Canadá:

As garantias oferecidas podem variar de um país a outro por estarem sujeitas a legislações diferentes. Para conhecer com mais detalhes a GARANTIA LIMITADA oferecida aos usuários do seu país, consulte seu revendedor local.

IMPORTANTE: Sugerimos que guarde a caixa e o material de embalagem deste produto **ENERGY** para protegê-lo caso seja necessário enviá-lo a um serviço de conserto. Os produtos danificados que o serviço de assistência técnica receba do usuário numa embalagem diferente da embalagem original serão consertados, restaurados e devidamente embalados para devolução ao usuário, porém isso será feito às custas do usuário.

GARANTIA NOS ESTADOS UNIDOS E NO CANADÁ (Veja atrás)

ВАЖНЫЕ ИНСТРУКЦИИ ПО ТЕХНИКЕ БЕЗОПАСНОСТИ ВАШЕГО САБВУФЕРА

Прочтите инструкции

Перед началом эксплуатации изделия необходимо прочесть все инструкции по технике безопасности и эксплуатации.

Сохраняйте инструкции

Инструкции по технике безопасности и эксплуатации необходимо сохранять для последующих справок.

Обращайте внимание на предостережения

Необходимо выполнять все предостережения, указанные на изделии и в инструкциях по его эксплуатации.

Следуйте инструкциям

Необходимо следовать всем инструкциям по эксплуатации и пользованию.

Очистка

Перед началом очистки выньте вилку шнура питания из розетки электросети. Не пользуйтесь жидкими или аэрозольными моющими средствами. Для очистки используйте мягкую ткань.

Монтажные приспособления

Не используйте монтажные приспособления, не рекомендованные изготовителем изделия, так как они могут представлять опасность.

Вода и влага

Не используйте этот аппарат вблизи воды — например, рядом с ванной, раковиной, кухонной мойкой или тазом для стирки белья; в подвалах с повышенной влажностью или рядом с плавательным бассейном.

Вентиляция

Щели и отверстия на корпусе предназначены для вентиляции, обеспечивающей надежную работу изделия и защиту его от перегрева, поэтому эти отверстия не должны загромождаться или закрываться. Изделие не следует размещать на кровати, софе, ковре или на другой аналогичной поверхности, так как при этом могут загромождаться вентиляционные отверстия. Изделие не следует устанавливать в замкнутые объемы, такие как книжные полки или ящики, за исключением особых случаев, когда в них обеспечивается достаточная вентиляция или когда это разрешено в инструкциях изготовителя.

Источники питания

Это изделие следует подсоединять к источнику питания только того типа, который указан на фирменной табличке. Если Вы не знаете параметров электросети в Вашем доме, обратитесь к Вашему дилеру или в местную электрическую компанию. Для изделий, работающих от элементов питания или других источников, см. Руководство по их эксплуатации.

Заземление или соблюдение полярности

Это изделие может быть оборудовано поляризованной сетевой вилкой (с контактными пластинами различной ширины). Поляризованная сетевая вилка предназначена для обеспечения безопасности. Такая вилка будет вставляться в розетку электросети только в одном положении. Если вилка не вставляется в розетку полностью, попытайтесь перевернуть вилку. Если вилка по-прежнему не вставляется в розетку, обратитесь к квалифицированному электрику. Ни при каких обстоятельствах не нарушайте поляризацию вилки.

Защита шнуров питания

Шнуры питания должны прокладываться таким образом, чтобы на них не наступали и не задевали их какими-либо предметами, расположенными рядом с ними, обращайте особое внимание на шнуры вблизи штепсельных разъемов и места выхода из изделия.

Перегрузка

Не перегружайте розетки электросети и удлинительные шнуры, так как это создает опасность возгорания или поражения электрическим током.

Попадание внутрь предметов и жидкостей

Никогда не вставляйте никакие предметы внутрь корпуса через отверстия, так как они могут прикоснуться к элементам, находящимся под опасным напряжением, или вызвать короткое замыкание, что создает опасность возгорания или поражения электрическим током. Никогда не проливайте на изделие никаких жидкостей.

Обслуживание

Не пытайтесь выполнять техническое обслуживание изделия самостоятельно, так как открывание или удаление крышек может привести к попаданию под опасное напряжение и другим опасностям.

Источники тепла

Это изделие следует размещать вдали от источников тепла, таких как радиаторы, тепловые завесы, печи или другие приборы (включая усилители), которые выделяют тепло.

Перерывы в использовании

Если аппарат не будет использоваться в течение длительного периода времени, вилку шнура питания следует вынимать из розетки электросети.

Повреждения, требующие обслуживания

Квалифицированный персонал должен провести техническое обслуживание этого изделия в тех случаях, когда:

- (A) Поврежден шнур питания или вилка;
- (B) Внутри аппарата попали предметы или жидкость;
- (C) Аппарат попал под дождь;
- (D) Появились признаки неисправности аппарата или произошли заметные изменения его характеристик;
- (E) Изделие уронили или поврежден его корпус.

“ENERGY”, эмблема the “ENERGY”, the “Take 5+1”, the “Take 5+1” эмблема и “API Accessories” является торговыми марками Audio Products International Corp. “Dolby”, “Dolby Pro-Logic” и “Dolby Digital Surround” — торговые марки Лицензированных Лабораторий Dolby. “DTS” торговая марка Digital Theater Systems Inc.

ВВЕДЕНИЕ

Мы с гордостью приветствуем вас как нового владельца **ENERGY** Громкоговорителей.

ENERGY громкоговорители являются результатом обширного исследования для акуратной звуковой репродукции баса и представляют собой ведущую грань в дизайне и исполнении сабвуфера. Тончайшие компоненты и кабинетные материалы в сочетании со сложными процедурами производства и контроля качества гарантируют много лет исключительного функционирования и удовольствия слушателю.

Пожалуйста, внимательно прочитайте все инструкции, содержащиеся в этом руководстве, чтобы быть уверенным в том, что ваша система правильно установлена и функционирует нормально.

Обязательно внимательно распакуйте вашу систему. Сохраните картонную коробку и упаковочный материал для дальнейшего использования.

СВЯЗЬ САБВУФЕРА С ВАШЕЙ АУДИО/ВИДЕО СИСТЕМОЙ.

Существует два метода, с помощью которых вы можете соединить ваш Мираж сабвуфер с аудио/видео системой. Первый — это “Соединение сигнала высокого уровня”, а второй — “Соединение сигнала низкого уровня”. Компоненты вашей системы дадут знать, какой метод использовать. Однако соединение сигнала высокого уровня может быть использовано любым интегрированным приемником или усилителем.

ВНИМАНИЕ: А) НЕ ПОЛЬЗУЙТЕСЬ МЕТОДАМИ И НИЗКОГО И ВЫСОКОГО УРОВНЯ ОДНОВРЕМЕННО. Б) ВЫКЛЮЧИТЕ ВСЕ В ВАШЕЙ СТЕРЕО СИСТЕМЕ, ПЕРЕД ТЕМ КАК УСТАНОВИТЬ САБВУФЕР.

Использование соединения сигнала высокого уровня (См. Диаграмму 1).

На задней части Мираж сабвуфера находится блок, называемый „Высокий уровень”. Этот блок содержит две пары соединителей громкоговорителя. Их следует соединить с выходными соединителями вашего усилителя или аудио/видео приемника. Каждая пара соединителей имеет цветовой код: черный/красный.

ПРИМЕЧАНИЕ: Эти соединители примут провода громкоговорителя размером до 18.

ПОМНИТЕ: Всегда соединяйте красный с красным и черный с черным, когда осуществляется соединение усилителя/приемника с сабвуфером. Если вы неосторожно измените один из соединителей (например: красный с черным), то заметите отсутствие баса в вашем сабвуфере.

Использование “Сабвуферного выхода” аудио/видео приемника или процессора (См. Диаграмму 2 — Соединение сигнала низкого уровня 1).

Этот метод использует единственный взаимосвязанный кабель с соединителями типа RCA к RCA для соединения выходного штепселя сабвуфера из аудио/видео приемника или процессора с входом сабвуфера. Этот метод не устраняет низких частот из ваших основных громкоговорителей, и они будут продолжать воспроизводить частоты баса.

Использование внешнего перехода (См. диаграмму 3. Соединение сигнала низкого уровня 2).

Этот метод использует единственный взаимосвязанный кабель с соединителями типа RCA к RCA для соединения выходного штепселя сабвуфера из внешнего перехода к переходному входу сабвуфера. Этот метод обходит встроенные регуляторы уровня и перехода на сабвуфере, функции сабвуфера контролируются внешним переходом (Для подробностей см. Руководство по внешнему переходу).

УСТАНОВКА КАЛИБРОВКИ.

Для достижения наилучших результатов при установке вашей системы, выберите вашу позицию для слушания и пусть другой человек осуществит следующие регулировки:

- 1) Настроит регулировки уровня сабвуфера на нулевую позицию. Настроит фильтровой контроль низкой проходимости сабвуфера на 50 Гц. Настроит регулировки любой громкости, баса/дисканта и/или уравнивателя на вашем предусилителе или интегрированном усилителе/приемнике на нормальную или среднюю позицию.
- 2) Поставит знакомый вам компактный диск, пластинку или видеофонограмму, которые содержат существенное количество баса.
- 3) Постепенно вращает контроль уровня сабвуфера по часовой стрелке, пока не достигнет нейтрального баланса между выходом глубокого баса сабвуфера и вашими основными/спутниковыми громкоговорителями.
- 4) Медленно вращает фильтровой контроль низкой проходимости сабвуфера по часовой стрелке, чтобы достичь наилучшей смеси среднего баса с вашими основными/спутниковыми громкоговорителями. Это будет та позиция, когда бас сохраняет непрерывный импульс и полноту.

Если средний басс становится „шумным” или плохо опознаваемым, то вы зашли слишком далеко и следует повернуть контроль против часовой стрелки для достижения наилучшего баланса.

ПРИМЕЧАНИЕ: Регулировка уровня сабвуфера создана для контроля баланса между вашим сабвуфером и основными/спутниковыми громкоговорителями, и ее не следует использовать в качестве заменителя для контроля баса или громкости на вашем усилителе или приемнике. Настройте уровень сабвуфера на наиболее гладкую низкую частоту. Если необходимо больше баса то повысьте контроль баса и/или громкости на вашем основном усилителе или приемнике.

СВОЙСТВА САБВУФЕРА.

Авто включающаяся/авто выключающаяся система.
Ваш сабвуфер снабжен специальной “авто включающейся/авто выключающейся” системой. Эта система автоматически включает ваш сабвуфер, как только он опознает программный сигнал. Эта система автоматически выключает сабвуфер а predetermined время после окончания программного сигнала.

Защитная система “подрезывания” импульсов.

На рынке сбыта многие самоходные сабвуферы производят искаженные звуки в результате “подрезывания” импульсов на уровне входного сигнала. Защитная система подрезывания импульсов, принадлежащая **ENERGY** сабвуферу постоянно опознает входной сигнал и автоматически приспосабливается к предупреждению “подрезывания” формы сигнала, сохраняя неискаженную репродукцию баса.

Соединители входного и выходного сигналов высокого уровня.

Входные сигналы высокого уровня позволяют соединить ваш сабвуфер с выходами громкоговорителя любого аудио/видео приемника или усилителя. См “Соединение сабвуфера с вашей аудио/видео системой”.

RCA входные штепсели низкого уровня.

Два RCA входных штепселя позволяют соединить сабвуфер с: 1) моно выходом сабвуфера аудио/видео приемника/процессора. 2) выходом сабвуфера внешнего перехода.

ПРИМЕЧАНИЕ: При использовании внешнего переходящего входа, контроль уровня сабвуфера и фильтровой контроль низкой проходимости на задней панели сабвуфера идут обходным путем и не воздействуют на сабвуфер.

RCA выходные штепсели низкого уровня.

Выходной сигнал из этих штепселей активно фильтруется ниже 80 Гц (18 децибел/октав). Когда эти штепсели подключаются к основному усилительному входу системы (или к основному входу для многих аудио/видео приемников), то в результате этого происходит увеличенная динамика колебаний, более низкое искажение и улучшенная всеобщая система исполнения. См. “Подключение сабвуфера к вашей аудио/видео системе”.

ОПЕРИРУЮЩИЕ РЕГУЛИРОВКИ САБВУФЕРА.

Регулировка уровня сабвуфера.

Эта вращающаяся регулировка настраивает выходной уровень вашего **ENERGY** сабвуфера и ее следует использовать для уравнивания уровня сабвуфера с уровнем ваших основных/спутниковых громкоговорителей. См. “Установка Калибровки”.

Фильтровая регулировка низкой проходимости.

Эта вращающаяся регулировка регулирует высоко частотный спад сабвуфера. Постоянно изменяющаяся от 50 Гц до 100 Гц, эта регулировка используется для точного согласования воспроизведения баса сабвуфера с вашими основными/спутниковыми громкоговорителями. См. “Установка Калибровки”.

АКУСТИКА КОМНАТЫ И РАСПОЛОЖЕНИЕ САБВУФЕРА.

ENERGY сабвуферы могут быть расположены в любом месте в вашей комнате прослушивания, не влияя в значительной степени на стерео образ ваших громкоговорителей. Однако взаимодействие любого сабвуфера с акустическими характеристиками комнаты окажет некоторое воздействие на всеобщую систему исполнения баса. Чтение этого раздела поможет вам найти такое местоположение для сабвуфера в вашей комнате, которое даст наилучшее исполнение баса.

ВНИМАНИЕ: ENERGY САБВУФЕРЫ РАСПОЛАГАЮТ ВСТРОЕННЫМ УСИЛИТЕЛЕМ И ДОЛЖНЫ ИМЕТЬ СООТВЕТСТВУЮЩУЮ ВЕНТИЛЯЦИЮ ДЛЯ ОХЛАЖДЕНИЯ. НЕ СТАВЬТЕ САБВУФЕР ОКОЛО ИСТОЧНИКА ТЕПЛА ИЛИ В ТАКОЕ МЕСТО, ГДЕ ВЕНТИЛЯЦИЯ БУДЕТ БЛОКИРОВАНА.

Хотя и не требуется иметь чистый путь между сабвуфером и слушающей позицией, но важно соблюдать расстояние в 10 см между сабвуфером и стенами или мебелью в комнате.

Обычно предпочтительно, чтобы соединительные кабели были покороче (их легче спрятать), поэтому часто более желательно расположить сабвуфер относительно близко к вашему аудио оборудованию.

Взаимодействие между акустикой комнаты и любым сабвуфером тесно связано с его близостью со стенами. Типично, что местоположение сабвуфера непосредственно в углу или близко к углу вызовет сильный выход баса. А его расположение вдоль стены, но вдали от угла вызовет меньше выхода баса. Расположение сабвуфера дальше в комнате вызовет наименьший выход баса. Следует также отметить, что угловое расположение, хотя и вызывает наибольший выход баса, часто дает неясный или “шумный” бас. Последние два расположения дадут более аккуратное исполнение баса.

Мы настаиваем, чтобы вы проэкспериментировали разные местоположения сабвуфера в комнате прослушивания, чтобы найти позицию, которая предоставляет “глубокое и гладкое” исполнение. Часто перемещение сабвуфера на 30–60 см может вызвать большое акустическое улучшение.

Не забывайте использовать знакомые музыкальные записи с обилием низкочастотной информации, когда экспериментируете разные местоположения сабвуфера.

Расположение и соединение ваших «Теик 5» громкоговорителей фирмы ENERGY

Пожалуйста следуйте нижеперечисленным указаниям для наилучшей эксплуатации:

Использование «Теик 2» в качестве левого и правого основных громкоговорителей

Для лучшего стереоэффекта, мы рекомендуем разместить пару громкоговорителей на расстоянии 6–10 футов (2–3 метра) друг от друга. Расстояние от громкоговорителей до слушателя должно быть приблизительно равным или в полутора раза больше расстояния, отделяющего громкоговорители. Для соединения и размещения см. рисунки 5 и 6.

Теик 1 громкоговоритель центрального канала

Цель громкоговорителя центрального канала в том, чтобы обеспечить поступление с экрана центрального звукового образа, включая голоса актеров. Для достижения наилучших результатов следует поместить громкоговоритель центрального канала прямо над или под телеэкраном. См. рисунки 5 и 6 для соединения и расположения.

Использование «Теик 2» в качестве громкоговорителей окружающего эффектов

Громкоговорители окружающего эффектов следует расположить так, чтобы они примыкали и находились не на большом расстоянии за первоначальной слушающей областью, на задней стене или на потолке, чтобы обеспечить чувство пространства и окружающей среды для «Долби Про-Лоджик» или для нового «Долби Цифрового» форматов окружающего источника. См. рисунки 5 и 6 для соединения и местоположения.

Требования к усилителю

Громкоговорители фирмы **ENERGY** сконструированы так, чтобы достигали высоких уровней прослушивания с умеренной мощностью, в то время как они способны справиться с выходным сигналом больших усилителей. Большинство громкоговорителей фирмы **ENERGY** имеют номинальный импеданс в 8 ом и будут хорошо работать с разными видами усилителей и приемников.

ПРИМЕЧАНИЕ: При использовании больше чем одной пары громкоговорителей на усилитель или приемник, пожалуйста проверьте с изготовителем усилителей, чтобы знать точно, что усилитель может справиться с нагрузкой в 4 ом.

Уход за поверхностью

Ваши громкоговорители следует время от времени осторожно протирать влажной тряпкой, чтобы удалить пыль или пятна. Не используйте абразивный очиститель. Для удаления пыли с сетки на громкоговорителе используйте надающуюся на пылесос щетку или слегка увлажненную мочалку.

ОГРАНИЧЕННАЯ ГАРАНТИЯ КАЧЕСТВА.

Гарантия за пределами США и Канады.

Гарантии качества продукта могут быть легализованы по-разному в разных странах. Узнайте у вашего местного агента по продаже об ограниченной гарантии качества, применимой к вашей стране.

ВАЖНО: Пожалуйста сохраните картон и упаковочный материал для Мираж сабвуфера, чтобы защитить его в случае переправки в центр по сервису для починки. Переправленная клиентом продукция, полученная центром по сервису в поврежденном состоянии, не имея оригинальной упаковки, будет починена, приведена в порядок и правильно упакована для отправки клиенту за его счет.

Diagram 1: HIGH LEVEL CONNECTION

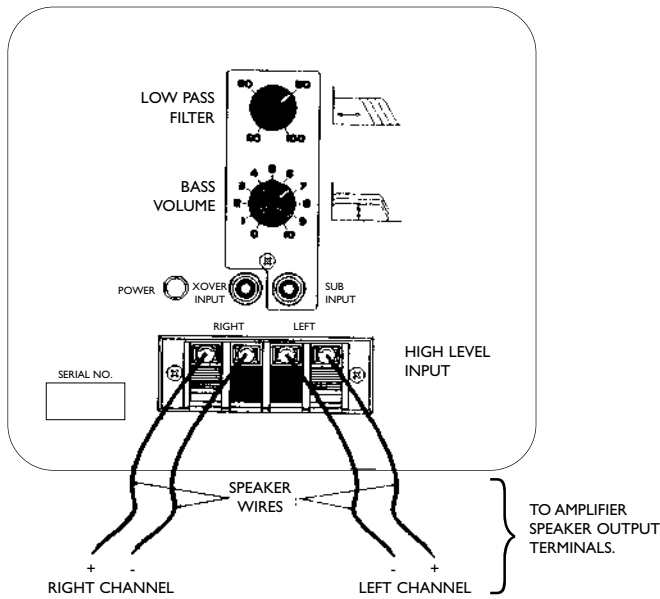


Diagram 4: SUBWOOFER PLACEMENT

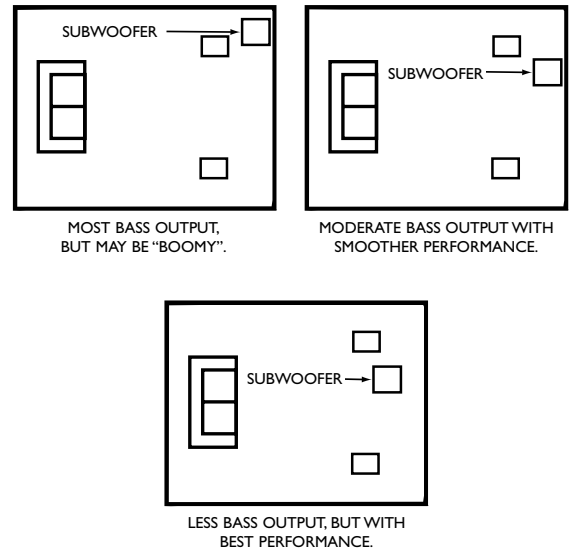


Diagram 2: LOW LEVEL CONNECTION 1

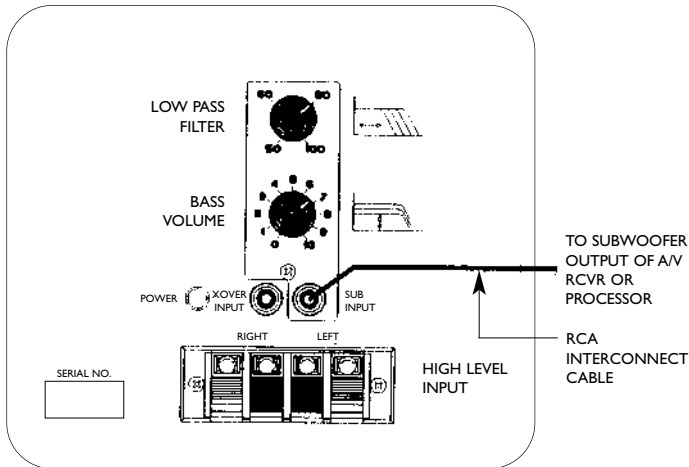


Diagram 5

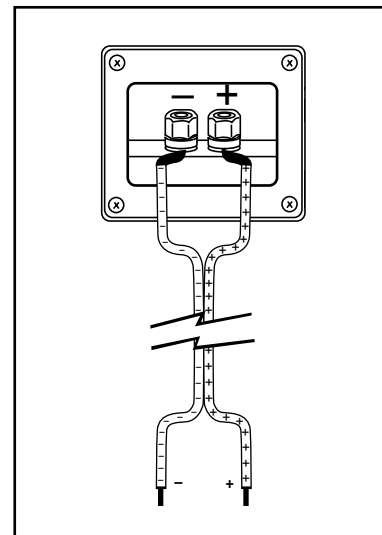


Diagram 3: LOW LEVEL CONNECTION 2

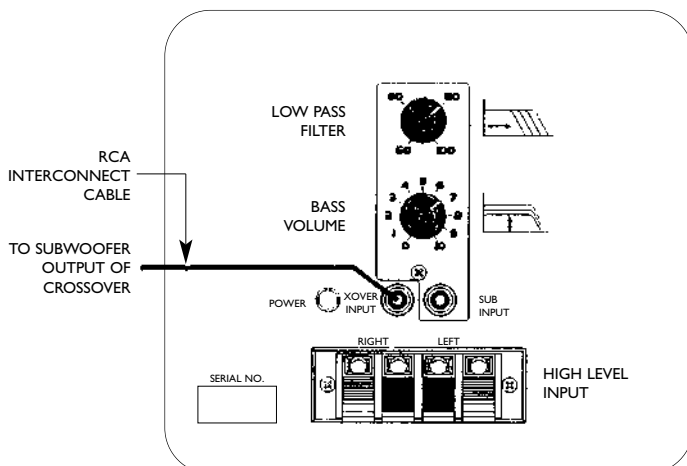
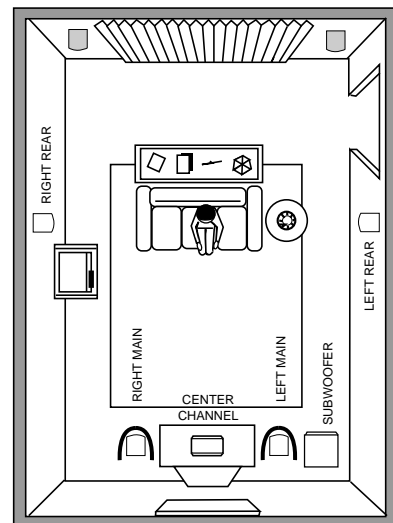


Diagram 6



SPECIFICATIONS

SPECIFICATIONS SUBJECT TO CHANGE WITHOUT NOTICE

MODEL	e:XL-S8
SYSTEM TYPE	Bass Reflex
AMPLIFIER TYPE	MOSFET circuitry
POWER OUTPUT	100 watts - 400 watts peak
WOOFER	8" (20.3cm) heavy duty
MAGNET SIZE	20oz (.57kg)
VOICE COIL DIAMETER	1" (2.5cm)
FREQUENCY RESPONSE	29Hz - 100Hz +0/-3dB
AUDIO/VIDEO LOW FREQUENCY EQUALIZATION:	External Crossover Input - for use with EAC
VARIABLE LOW PASS FILTER	50Hz - 100Hz
INPUT SENSITIVITY	
High Level	250mV
Low Level	<100mV - 6V
External Crossover	<100mV - 6V
INPUTS	RCA Low Level x 2 High Level - 1 Pair
SPECIAL FEATURES	Auto On/Off Overdrive Protection
DIMENSIONS (in)	9-7/8 x 15-7/8 x 10-7/8
W x H x D (cm)	25 x 40.3 x 27.7
WEIGHT lb	25.9lbs.
kg	10.2kg
FINISH	Black Ash

MODEL	TAKE 2	TAKE 1
SYSTEM TYPE	Magnetically shielded, two-way satellite speaker	Magnetically shielded, two-way acoustic suspension center speaker
TWEETER	3/4" (19mm) Multi-lam Hyperdome design	Point source driver configuration 3/4" Multi-lam Hyperdome design
BASS/MID DRIVERS	3-1/2" (9cm) magnetically shielded with injection molded cone	2 x 3-1/2" (9cm) magnetically shielded with injection molded cone
FREQUENCY RESPONSE ON AXIS	90Hz - 22kHz	90Hz - 22kHz
SENSITIVITY	88dB @ 1m / 2.83V input	88dB @ 1m / 2.83V input
CROSSOVER POINT	2.5kHz Built-in High Pass @ 90 Hz	2.5kHz Built-in High Pass @ 90 Hz
IMPEDENCE	8 ohms nominal	8 ohms nominal
RECOMMENDED AMPLIFIER POWER	15 watts - 100 watts RMS/channel	15 watts - 100 watts RMS/channel
MAXIMUM POWER HANDLING	100 watts RMS (less than 5% clipping)	100 watts RMS (less than 5% clipping)
DIMENSIONS (in)	6-3/4" x 4" x 5-3/4"	4" x 10-1/3" x 5-3/8"
H x W x D (cm)	17.1 x 10 x 13.7	10 x 26 x 13.7
WEIGHT	3lbs (1.36kg)	5lbs (2.27kg)
FINISH	High Gloss Black or High Gloss White	High Gloss Black or High Gloss White
GRILLE COLOR	Black or white acoustically transparent cloth	Black or white acoustically transparent cloth

WARRANTY

Limited Warranty Policy in the United States and Canada

ENERGY Speaker Systems warrants this product to the retail purchaser against any failure resulting from original manufacturing defects in work-manship or materials.

The warranty is in effect for a period of:

- 1) for the Speaker Section, five (5) years, and
- 2) for the Amplifier Section, one (1) year;

from date of purchase by the original owner from an authorized **ENERGY** dealer; and is valid only if the original dated bill of sale is presented when service is required.

The warranty does not cover damage caused during shipment, by accident, misuse, abuse, neglect, unauthorized product modification, failure to follow the instructions outlined in the owner's manual, failure to perform routine maintenance, damage resulting from unauthorized repairs or claims based upon misrepresentations of the warranty by the seller.

Warranty Service

If you require service for your **ENERGY** speaker(s) at any time during the warranty period, please contact:

- 1) the dealer from whom you purchased the product(s),
- 2) **ENERGY NATIONAL SERVICE**, 203 Eggert Road, Buffalo, N.Y. 14215 Tel: 716-896-9801
- 3) **ENERGY Speaker Systems**, a division of Audio Products International Corp., 3641 McNicoll Avenue, Scarborough, Ontario, Canada, M1X 1G5, Tel: 416-321-1800.

You will be responsible for transporting the speakers in adequate packaging to protect them from damage in transit and for the shipping costs to an authorized **ENERGY** service center or to **ENERGY Speaker Systems**. If the product is returned for repair to **ENERGY Speaker Systems** in Scarborough or Buffalo, the costs of the return shipment to you will be paid by **ENERGY**, provided the repairs concerned fall within the Limited Warranty. The **ENERGY** Warranty is limited to repair or replacement of **ENERGY** products. It does not cover any incidental or consequential damage of any kind. If the provisions in any advertisement, packing cartons or literature differ from those specified in this warranty, the terms of the Limited Warranty prevail.

GARANTIE

Garantie aux États-Unis et au Canada

La société **ENERGY** garantit cet appareil contre toute défectuosité attribuable aux pièces d'origine et à la main-d'oeuvre.

Cette garantie est valide pendant une période de :

- 1) cinq (5) ans sur la section haut-parleurs ;
- 2) un (1) an sur la section amplificateur

à partir de la date d'achat auprès d'un revendeur **ENERGY** agréé ; la garantie ne sera honorée que sur présentation d'une pièce justificative de la date d'achat.

La garantie ne couvre aucun dommage subi pendant le transport ou imputable à un accident, à une utilisation impropre ou abusive, à la négligence, à une modification non autorisée, à la non-observance des instructions décrites dans le manuel de l'utilisateur ou des directives d'entretien, ni aucun dommage subi par suite de réparations non autorisées ou de réclamations fondées sur une mauvaise interprétation des conditions de la présente garantie par le revendeur.

Service sous garantie

Dans l'éventualité où une réparation deviendrait nécessaire pendant la période de couverture de la garantie, communiquez avec :

- 1) le revendeur auprès de qui l'appareil a été acheté,
- 2) **ENERGY NATIONAL SERVICE**, 203, Eggert Road, Buffalo, N.Y. 14215, tél. : 1-716-896-9801
- 3) **ENERGY Speaker Systems**, 3641, avenue McNicoll, Scarborough (Ontario), Canada, M1X 1G5, tél. : 1-416-321-1800.

Le propriétaire de l'appareil est responsable de son emballage et de tous frais d'expédition à un centre de service **ENERGY** agréé ou à **ENERGY Speaker Systems** à Scarborough ou à Buffalo aux fins de réparation, les frais de réexpédition seront assumés par **ENERGY** à la condition que les réparations effectuées soient couvertes par la garantie. La garantie est limitée à la réparation ou au remplacement des appareils fabriqués et distribués par **ENERGY**. Elle ne couvre aucun dommage indirect ou consécutif de quelque nature que ce soit. Si les conditions accompagnant toute publicité, emballage ou documentation divergent de celles de la présente garantie, les conditions de la présente garantie prévaudront.